

# Z86C47-ROM Z86E47-OTP

## CMOS Z8® 8-BIT MICROCONTROLLER

2

### FEATURES

- 8-Bit CMOS Microcontroller for Consumer Television Applications, 64-Pin DIP Package
- Low Cost
- Low Power Consumption
- Fast Instruction Pointer - 1.5  $\mu$ s @ 4 MHz
- Two Standby Modes-STOP and HALT
- Low Voltage Detection/Voltage Sensitive Reset
- 35 Input/Output Lines
- On-Screen Display Controller
- All Digital CMOS Levels Schmitt-Triggered
- 16 Kbytes of ROM (Z86C47)
- 16 Kbytes OTP ROM (Z86E47)
- 236 Bytes of RAM
- Two Programmable 8-Bit Counter/Timers each with 6-Bit Programmable Prescaler
- Six Vectored, Priority Interrupts from Six Different Sources
- Clock Speed up to 4 MHz
- Permanently Enabled Watch-Dog/Power-On Reset Timer
- 4K x 6-Bit Character Generator ROM
- 160 x 7-Bit Video RAM
- On-Chip Oscillator that Accepts a Crystal, Ceramic Resonator, LC, or External Clock Drive.
- Mask Programmable 128 Character Set Displayed in an 8-Row x 20-Column Format, 12 x 5 Pixel Character Cell, Capable of Supporting English, Korean, Chinese, and Japanese High Resolution Characters.
- Fully Programmable Color Attributes Including Row Character, Row Background/Fringes, Frame Background/Position, Bar Graph Color Change, and Character Size.
- Programmable Display Position and Character Size Control.
- One Pulse Width Modulator (14-Bit Resolution) for Voltage Synthesis Tuner Control
- Five Pulse Width Modulators (8-Bit Resolution) for Picture Control
- Seven Pulse Width Modulators (6-Bit Resolution) for Audio Control
- Port 2 (8-Bit Programmable I/O) and Port 3 (2-Bit Input, 3-Bit Output) Register Mapped Ports
- Port 4 (8-Bit Output), Port 5 (8-Bit LED Drive Output) and Port 6 (6-Bit Input and Tri-State Comparator AFC Input) Memory Mapped I/O Ports.

### GENERAL DESCRIPTION

The Z86C47 and Z86E47 Digital Television Controllers (DTC) introduce a new level of sophistication to single-chip architecture. The Z86C47/E47 are members of the Z8® single-chip microcontroller family with 16 Kbytes of ROM (Z86C47), OTP ROM (Z86E47) and 236 bytes of RAM. Both devices are housed in a 64-pin DIP package, and are

CMOS compatible. Having the ROM/OTP ROM selectivity, the DTC offers both external memory and pre-programmed ROM which enables the Z8 microcontroller to be used in a high-volume production application device embedded with a custom program (customer supplied program).

## GENERAL DESCRIPTION (Continued)

The Z86E47 offers the use of OTP ROM rather than a preprogrammed mask ROM. This enables the Z8 microcontroller to be used in prototyping, low volume applications, or where code flexibility is required. Zilog's DTC offers fast execution, efficient use of memory, sophisticated interrupts, input/output bit manipulation capabilities, and easy hardware/software system expansion along with low cost and low power consumption. The device provides an ideal performance and reliability solution for consumer and industrial television applications.

The Z86C47/E47 architecture is characterized by utilizing Zilog's advanced Superintegration™ design methodology. The devices have an 8-bit internal data path controlled by a Z8 microcontroller, and On Screen Display (OSD) logic circuits/Pulse Width Modulators (PWM). On-chip peripherals include two register mapped I/O ports (Port 2 and Port 3), Interrupt control logic (1 software, 2 external and 3 internal interrupts), and a standby mode recovery input port (Port 3, P30).

The OSD control circuits support 8 rows x 20 columns for 128 kinds of characters. The character color is specified by row. One of the 8 rows is assigned to show two kinds of colors for bar type displays such as volume control. The OSD is capable of displaying 11 x 15 dot characters.

A 14-bit PWM port provides enough voltage resolution for a voltage synthesizer tuning system. Seven 6-bit PWM ports are used for controlling audio signal level. Five 8-bit PWM ports are used to vary picture levels.

The Z86C47/E47 have 35 I/O pins dedicated to input and output for DTC applications demanding powerful I/O capabilities. These lines are grouped into five ports, and are configurable under software control to provide timing, status signals, parallel I/O, and an address/data bus for interfacing to external memory.

There are three basic address spaces available to support this wide range of configurations: Program Memory, Register File, and Data Memory. The Register File is composed of 236 bytes of general-purpose register, two I/O Port registers and 15 control and status registers.

To unburden the program from coping with the real-time problems such as counting/timing and data communication, the Z86C47/E47 offers two on-chip counter/timers with a large number of user selectable modes (Figure 1).

### Notes:

All Signals with a preceding front slash, "/", are active Low, e.g., B/W (WORD is active Low); /B/W (BYTE is active Low, only).

Power connections follow conventional descriptions below:

Connection	Circuit	Device
Power	$V_{CC}$	$V_{DD}$
Ground	GND	$V_{SS}$

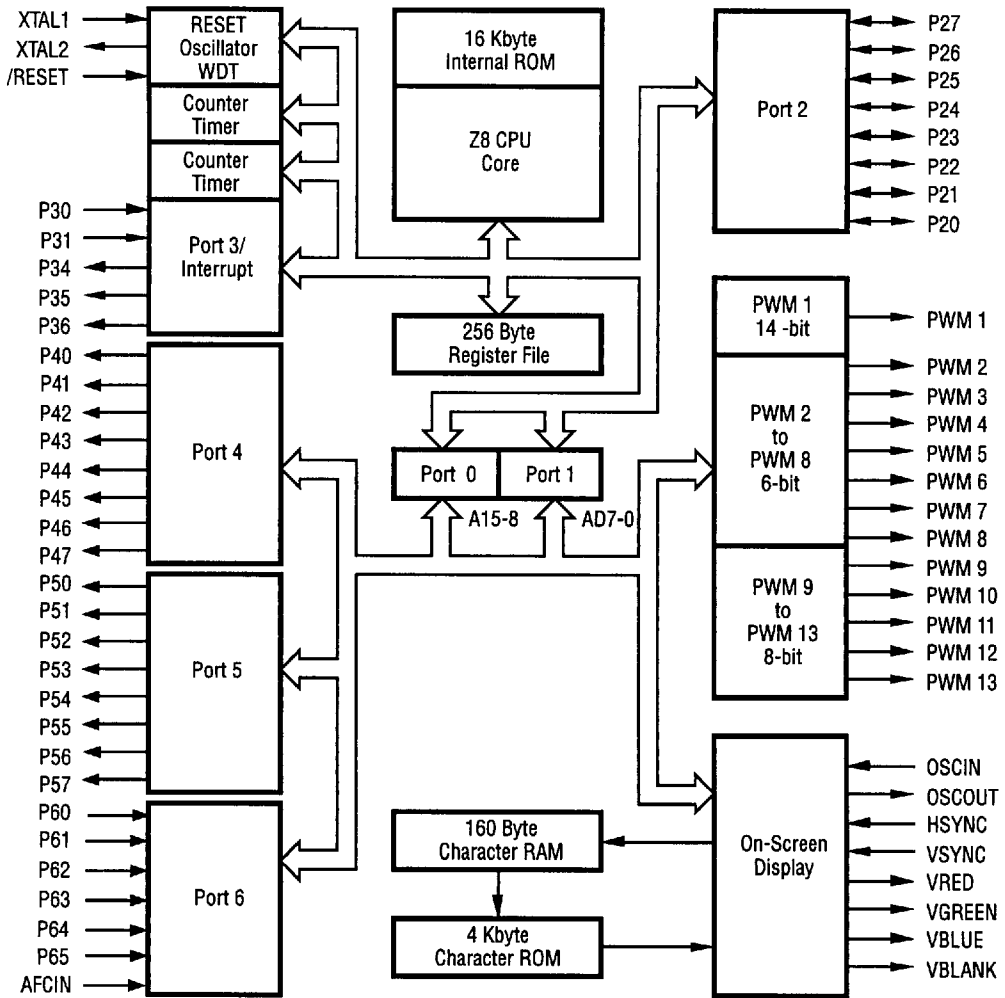
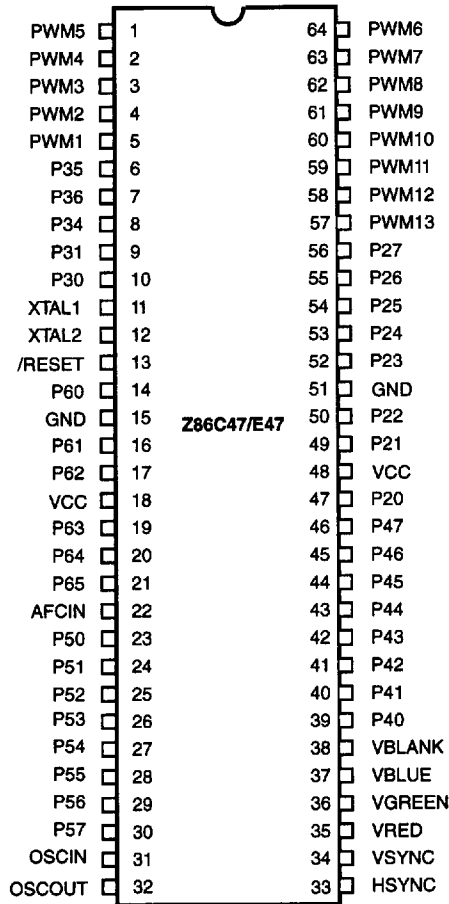


Figure 1. Z86C47/E47 Functional Block Diagram

**PIN CONFIGURATION**


**Figure 2. Z86C47/E47 Mask-ROM/OTP-ROM Plastic DIP**

**PIN IDENTIFICATION**

64-pin DIP Z86C47/Z86E47

Pin	Name	Function	Direction
1	PWM5	Pulse Width Modulator 5	Output
2	PWM4	Pulse Width Modulator 4	Output
3	PWM3	Pulse Width Modulator 3	Output
4	PWM2	Pulse Width Modulator 2	Output
5	PWM1	Pulse Width Modulator 1	Output
6, 7	P35-P36	Port 3, Pins 5, 6	Output
8	P34	Port 3, Pin 4	Output
9	P31	Port 3, Pin 1	Input
10	P30	Port 3, Pin 0	Input
11	XTAL1	Crystal Oscillator	Input
12	XTAL2	Crystal Oscillator	Output
13	/RESET	System Reset	Input
14	P60	Port 6, Pin 0	Input
15	GND	Ground	Input
16	P61	Port 6, Pin 1	Input
17	P62	Port 6, Pin 2	Input
18	V <sub>CC</sub>	Power Supply	Input
19-21	P63-P65	Port 6, Pins 3, 4, 5	Input
22	AFC <sub>IN</sub>	AFC Voltage Level	Input
23-30	P50-P57	Port 5, Pins 0, 1, 2, 3, 4, 5, 6, 7	Output
31	OSC <sub>IN</sub>	Video Dot Clock Osc	Input
32	OSC <sub>OUT</sub>	Video Dot Clock Osc	Output
33	HSYNC	Horizontal Sync	Input
34	VSYNC	Vertical Sync	Input
35	Vred	Video Red	Output
36	Vgreen	Video Green	Output
37	Vblue	Video Blue	Output
38	Vblank	Video Blank	Output
39-46	P40-P47	Port 4, Pins 0, 1, 2, 3, 4, 5, 6, 7	Output
47	P20	Port 2, Pin 0	In/Output
48	V <sub>CC</sub>	Power Supply	Input
49,50	P21-P22	Port 2, Pins 1, 2	In/Output
51	GND	Ground	Input
52-56	P23-P27	Port 2, Pins 3, 4, 5, 6, 7	In/Output
57	PWM13	Pulse Width Modulator 13	Output
58	PWM12	Pulse Width Modulator 12	Output
59	PWM11	Pulse Width Modulator 11	Output
60	PWM10	Pulse Width Modulator 10	Output
61	PWM9	Pulse Width Modulator 9	Output
62	PWM8	Pulse Width Modulator 8	Output
63	PWM7	Pulse Width Modulator 7	Output
64	PWM6	Pulse Width Modulator 6	Output

**PIN IDENTIFICATION**

64-pin DIP Z86E47

Pin	Name	Function	Direction
1	PWM5	Pulse Width Modulator 5	Output
2	PWM4	Pulse Width Modulator 4	Output
3	PWM3	Pulse Width Modulator 3	Output
4	PWM2	Pulse Width Modulator 2	Output
5	PWM1	Pulse Width Modulator 1	Output
6-7	P35-P36	Port 3, Pins 5, 6	Output
8	P34	Port 3, Pin 4	Output
9	P31	Port 3, Pin 1	Input
10	P30	Port 3, Pin 0	Input
11	XTAL1	Crystal Oscillator	Input
12	XTAL2	Crystal Oscillator	Output
13	/RESET	System Reset	Input
14	/AS	Address Strobe	Output
15	GND	Ground	Input
16	/DS	Data Strobe	Output
17	R/W	Read/Write	Output
18	V <sub>CC</sub>	Power Supply	Input
19	SCLK	System Clock	Output
20-21	P66-P67	Port 6, Pins 6, 7	Output
22	AFC <sub>IN</sub>	AFC Analog	Input
23-30	P00-P07	Port 0, Pins 0,1, 2, 3, 4, 5, 6, 7	Output
31	OSC <sub>IN</sub>	Video Dot Clock Oscillator	Input
32	OSC <sub>OUT</sub>	Video Dot Clock Oscillator	Output
33	Hsync	Horizontal Sync	Input
34	Vsync	Vertical Sync	Input
35	Vred	Video Red	Output
36	Vgreen	Video Green	Output
37	Vblue	Video Blue	Output
38	Vblank	Video Blank	Output
39-46	P10-P17	Port 1, Pins 0,1, 2, 3, 4, 5, 6, 7	Output
47	P20	Port 2, Pin 0	In/Output
48	V <sub>CC</sub>	Power Supply	Input
49-50	P21-P22	Port 2, Pin 1, 2	In/Output
51	GND	Ground	Input
52-56	P23-P27	Port 2, Pins 3, 4, 5, 6, 7	In/Output
57	PWM13	Pulse Width Modulator 13	Output
58	PWM12	Pulse Width Modulator 12	Output
59	PWM11	Pulse Width Modulator 11	Output
60	PWM10	Pulse Width Modulator 10	Output
61	PWM9	Pulse Width Modulator 9	Output
62	PWM8	Pulse Width Modulator 8	Output
63	PWM7	Pulse Width Modulator 7	Output
64	PWM6	Pulse Width Modulator 6	Output

## PIN DESCRIPTION

**XTAL1, XTAL2** (Time-based input, output, respectively). These pins connect to the internal parallel-resonant clock crystal (4 MHz max) oscillator circuit with 2 capacitors to GND. XTAL1 can also be used as an external clock input.

**/AS Address Strobe** (output, active Low). /AS is pulsed once at the beginning of each machine cycle. Address output is through Port 0 and Port 1 for all external programs. Memory address transfers are valid at the trailing edge of /AS. Under program control, /AS can be placed in the high-impedance state along with Port 0 and Port 1, Data Strobe, and Read/Write.

**/DS Data Strobe** (output, active Low). /DS is active once for each external memory transfer. For READ operations, data must be available prior to the trailing edge of /DS. For WRITE operations, the falling edge of /DS indicates the output data is valid.

**R/W Read/Write** (output, Write active Low). R/W is Low when the DTC is writing to the external program or data memory.

**SCLK System Clock** (output). SCLK is the internal system clock. It can be used to clock external glue logic.

**HSYNC** (input, Schmitt-triggered, CMOS level). Horizontal Sync is an input pin that accepts an externally generated Horizontal Sync signal of either negative or positive polarity.

**VSNC** (input, Schmitt-triggered, CMOS level). Vertical Sync is an input pin that accepts an externally generated Vertical Sync signal of either negative or positive polarity.

**OSC<sub>IN</sub>, OSC<sub>OUT</sub>** (Video Oscillator input, output, respectively). Oscillator input and output pins for on-screen display circuits. These pins connect to an inductor and two capacitors to generate the character dot clock (typically around 6 MHz). The dot clock frequency determines the character pixel width and phase synchronized to HSYNC.

**Vblank Video Blank** (output). CMOS output, programmable polarity. Used as a superimpose control port to display characters from video RAM. The signal controls Y signal output of the CRT and turns off the incoming video display while the characters in video RAM are superimposed on the screen. The red, green, and blue outputs drive the three electron guns on the CRT directly, while the blank output turns off the Y signal.

**Vblue Video Blue** (output). CMOS Output of the Blue video signal (B-Y) and is programmable for either polarity.

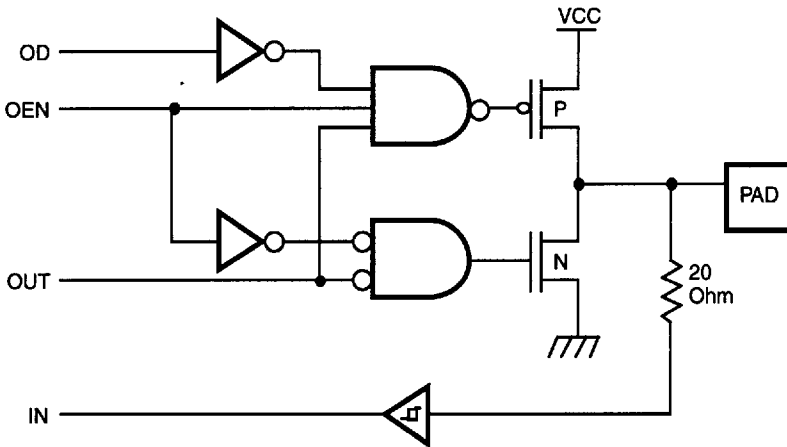
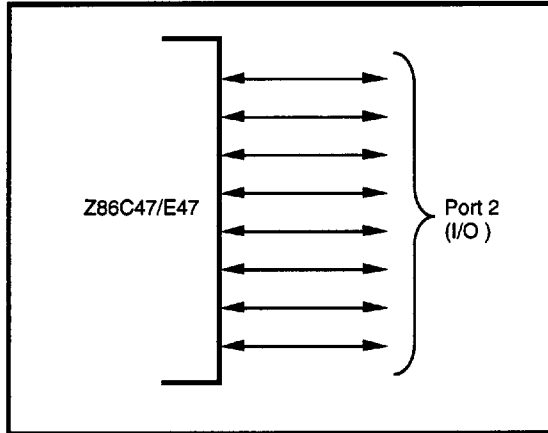
**Vgreen Video Green** (output). CMOS Output of the Green video signal (G-Y) and is programmable for either polarity.

**Vred Video Red** (output). CMOS Output of the Red video signal (R-Y) and is programmable for either polarity.

**PIN DESCRIPTION** (Continued)

**Port 2** (P27-P20). Port 2 is an 8-bit port, CMOS compatible, bit programmable for either input or output. Input buffers are Schmitt-triggered. Bits programmed as outputs may

be globally programmed as either push-pull or open-drain (Figure 3).



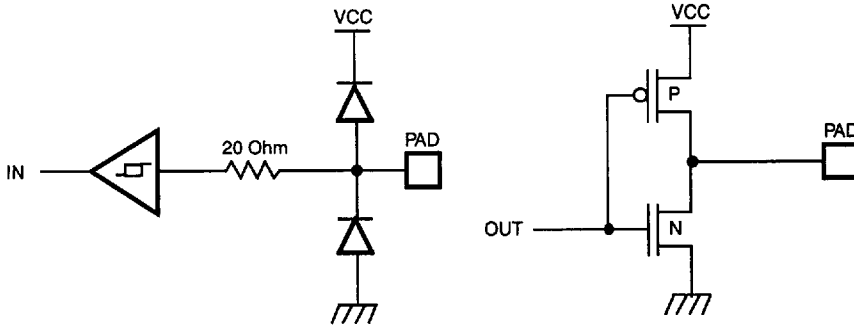
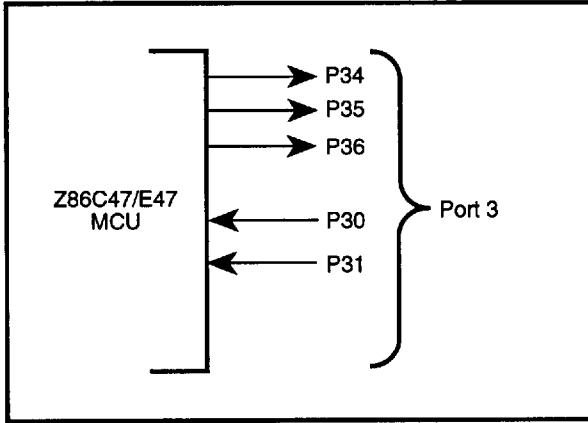
Note: Input/Output, Tri-State, Open-Drain, Pad Type 5

**Figure 3. Port 2 Configuration**



**Port 3** (P30, P31, P34-P36). Port 3, P30 input is read directly. A negative edge event is latched in IRQ3 to initiate an IRQ3 vectored interrupt if appropriately enabled. An application could use the IRQ3 interrupt routine to place the device in STOP mode. A subsequent High on P30 would initiate a Stop-Mode Recovery. Port 3, P31 is read

directly. A negative edge event is latched in IRQ2 to initiate an IRQ2 vectored interrupt if appropriately enabled. P31 High is signified as the  $T_{IN}$  signal to Timer1. Port 3, P34 and P35 are general-purpose output lines. Port 3, P36 can be used as a general-purpose output or as an output for  $T_{OUT}$  (from Timer1 or Timer2) or SCLK (Figure 4).



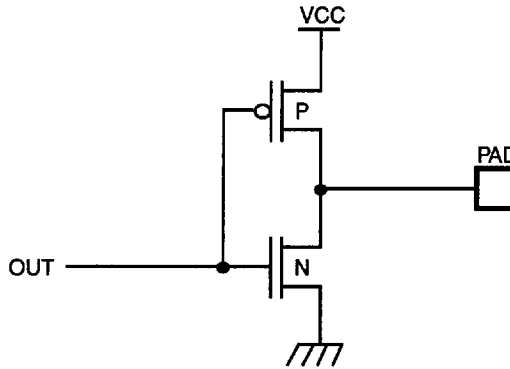
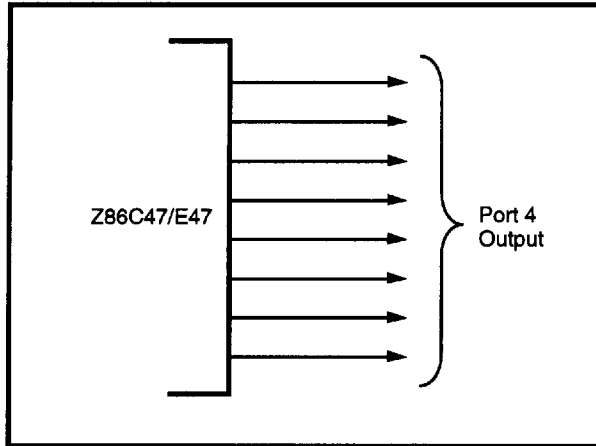
Note: Input Only, Schmitt-triggered, Pad Type 2

Note: Output Only, Pad Type 3

**Figure 4. Port 3 Configuration**

**PIN DESCRIPTION** (Continued)

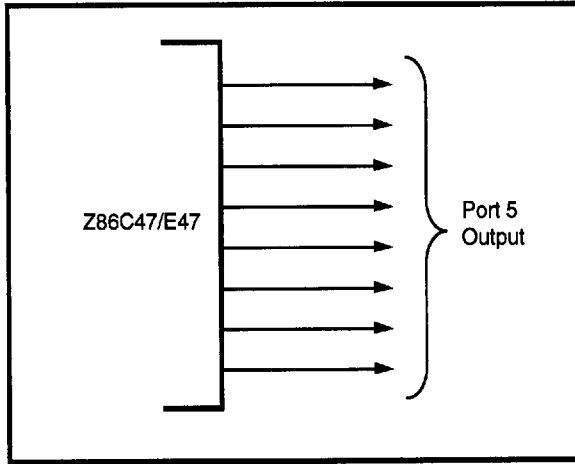
**Port 4** (P47-P40). Port 4 is an 8-bit, CMOS compatible, Output Port (Figure 5).



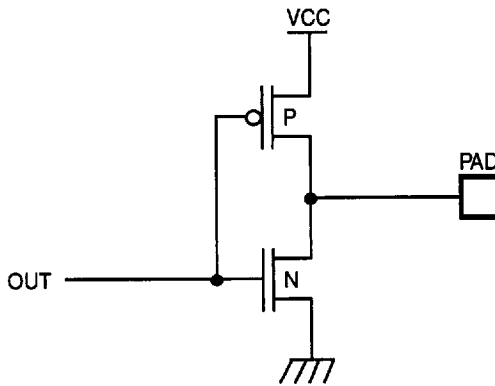
**Figure 5. Port 4 Configuration**

**Port 5** (P57-P50). Port 5 is an 8-bit, CMOS compatible, Output Port. The output ports can directly sink 10 mA at 1.5

Volt  $V_{OL}$ . They are typically used to drive multiplexed LED displays (Figure 6).



2

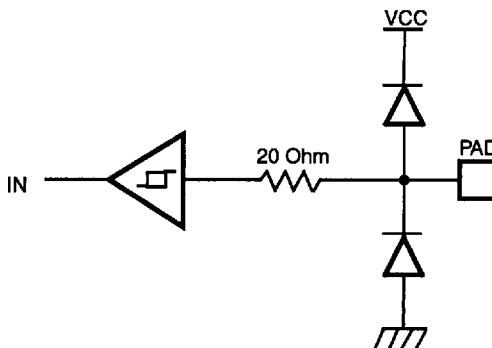
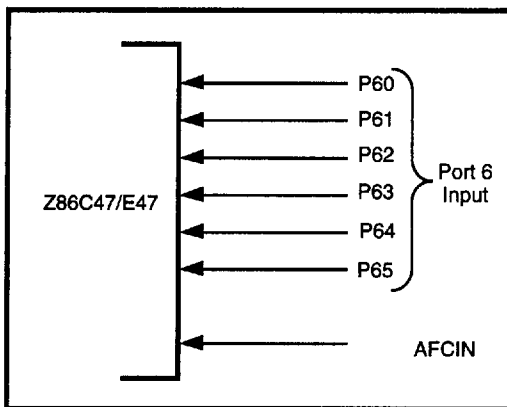


**Figure 6. Port 5 Configuration**

**PIN DESCRIPTION** (Continued)

**Port 6 (P65-P60).** Port 6 is a 6-bit, Schmitt-triggered CMOS compatible, input port. The outputs of the AFC compar-

tors internally feed into the Port 6, P66 and P67 inputs in ROM mode (Figure 7).



**Figure 7. Port 6 Configuration**

**AFC<sub>IN</sub>** (Comparator input port). The input signal is supplied to two comparators with  $V_{TH1} = 2/5 V_{CC}$  and  $V_{TH2} = 3/5 V_{CC}$  typical threshold voltage. The comparator outputs

are internally connected to Port 6, P66 and P67. AFC<sub>IN</sub> is typically used to detect AFC voltage level to accommodate digital automatic fine tuning functions (Figure 8).

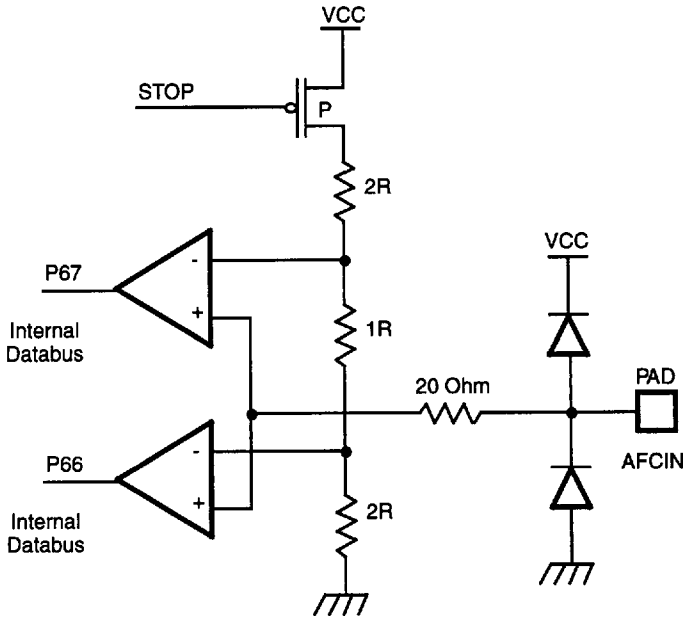


Figure 8. AFC<sub>IN</sub> Comparator Circuits

2

## PIN DESCRIPTION (Continued)

**Pulse Width Modulator 1 (PWM).** PWM1 is typically used as the D/A converter for Voltage Synthesis Tuning systems. It is a push-pull output. The PWM maximum value is 0000H and the minimum value is 3FFFH. They are loaded into registers FC12H and FC13H.

**Pulse Width Modulator 8-2 (PWM).** PWM8-PWM2 are Pulse Width Modulators Circuits with 6-bit resolution.

**Pulse Width Modulator 13-9 (PWM).** PWM13-PWM9 are Pulse Width Modulator Circuits with 8-bit resolution.

**Note:** PWM8-PWM1 can also be individually programmed as general-purpose outputs, but the output state of these

PWM pins will be inverted from the data loaded into the PWM output register (FC11H). In either case, for PWM8-PWM2, the output drivers are 12V open-drain circuits and PWM1 is push-pull.

**/RESET System Reset.** Code is executed from memory address 000C (HEX) after the /RESET pin is set to a High level. The reset function is also carried out by detecting a  $V_{CC}$  transition state (automatic power-on reset) so that the external reset pin can be permanently tied to  $V_{CC}$ . A low level on /RESET forces a restart of the device. The /RESET must be Low for a total of 22T<sub>pC</sub> for the device to reset properly.

## FUNCTIONAL DESCRIPTION

The Z8 DTC incorporates special functions to enhance the Z8's application in consumer, industrial, and television control applications.

**Pulse Width Modulator (PWM).** The DTC has 13 PWM channels (Figure 9). There are three types of PWM circuits: PWM1 (1 channel of 14-bit resolution) typically used for Voltage Synthesis Tuning, PWM8-PWM2 (7 channels of 6-bit resolution) typically used for audio level control, and PWM13-PWM9 (5 channels of 8-bit resolution) typically used for picture level control. PWM8-PWM1 may be used as general-purpose by programming the PWM mode register. The PWM control registers are mapped into external memory and are accessed through LDE and LDEI instructions.

PWM13-PWM2 are at maximum value (on-times) when all 1s are loaded in their PWM Value registers (and minimum value when all 0s are loaded). PWM1 has a maximum value for all 0s and minimum for all 1s.

PWM13-PWM2 have open-drain outputs. PWM1 has a push-pull output.

**On-Screen Display (OSD).** The OSD has a capability of displaying 8 rows x 20 columns of 128 kinds of characters for either high resolution (11 x 15 dots) pattern (Figure 10).

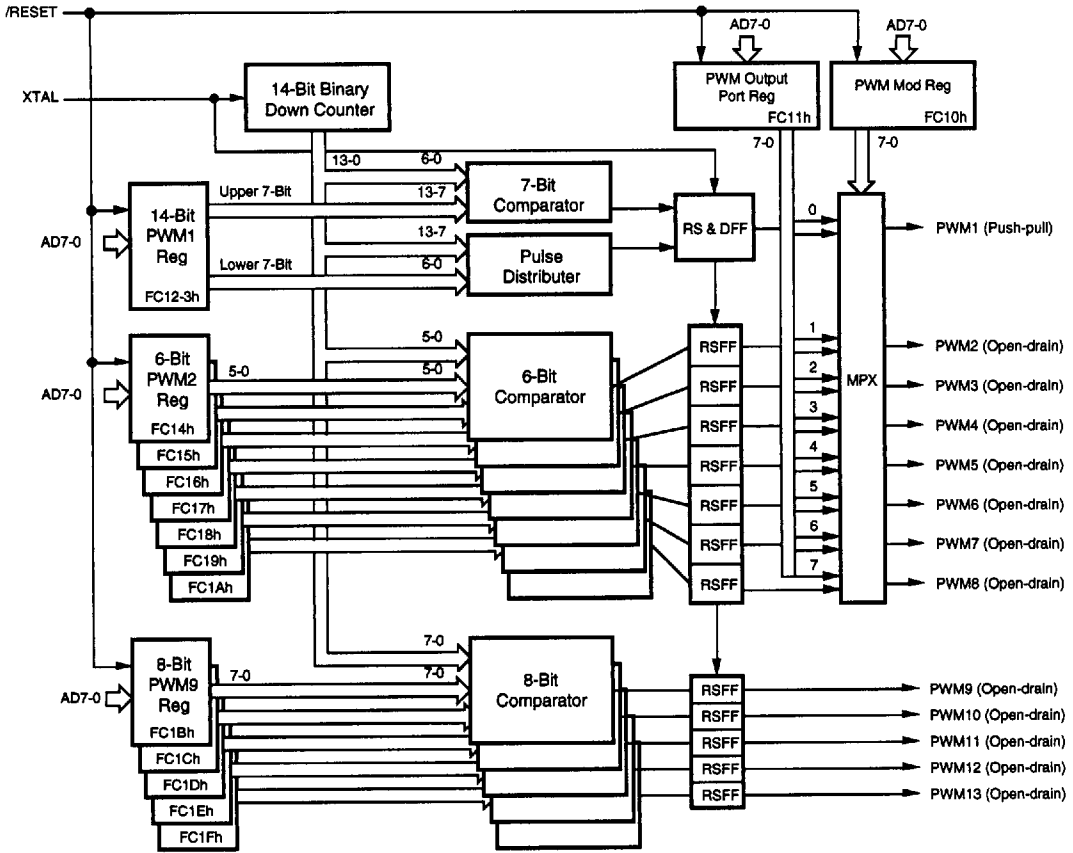


Figure 9. Pulse Width Modulator Block Diagram

FUNCTIONAL DESCRIPTION (Continued)

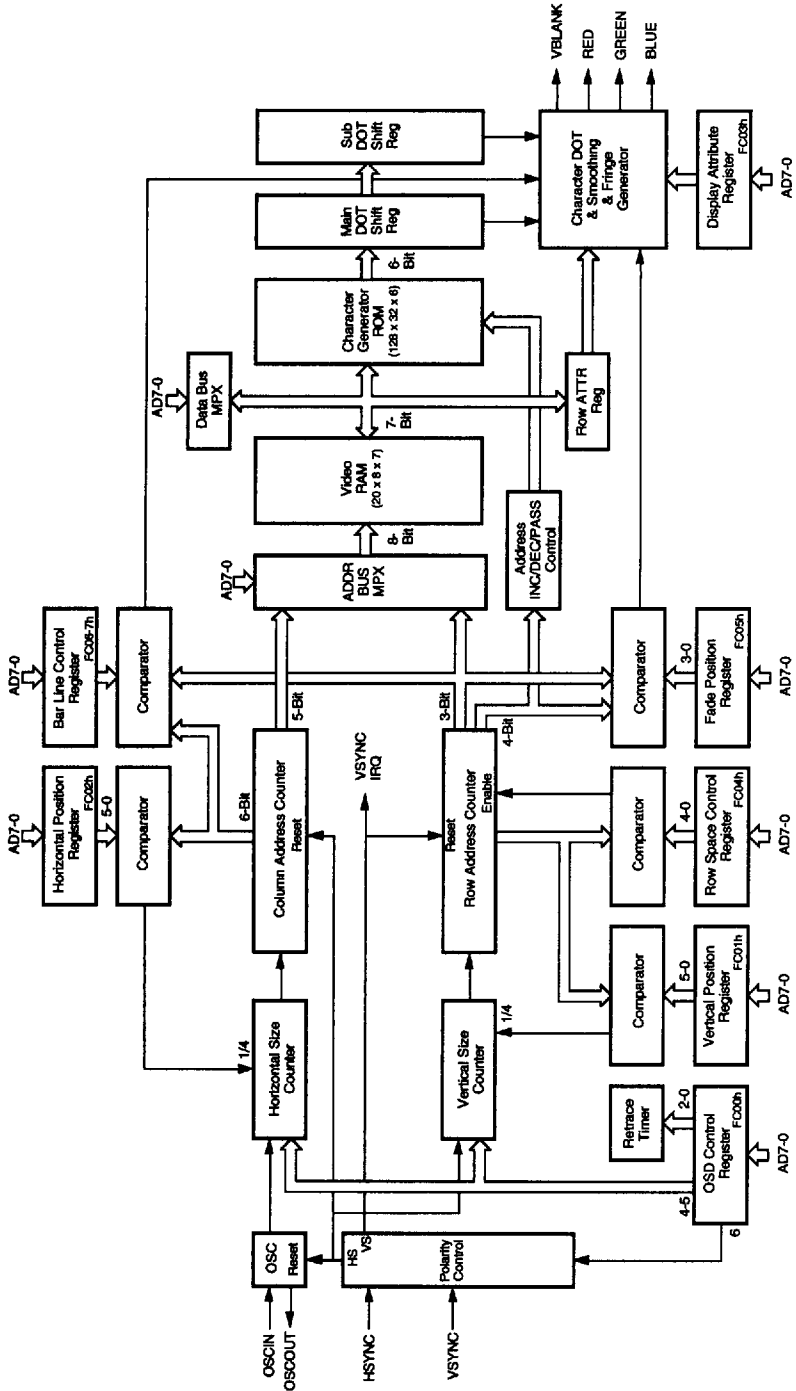


Figure 10. On-Screen Display Block Diagram



The OSD features are as follows:

- **Character Color:** Seven kinds of color are specified on a row basis.
- **Character Pixel Size:** Four character pixel sizes are selected for 1HL, 2HL, 3HL, and 4HL Horizontal Line (HL).
- **Polarity Selections:** Can select active Low or High for horizontal/vertical sync input and RGB outputs.
- **Display Position:** Can display 64 vertical positions by 4HL units and 64 horizontal positions by a 4 dot clock.
- **Inter Row Spacing:** Inter row vertical line spacing is set from 2HL to 17HL.
- **Fade In/Out Control:** Fade position can be determined in vertical direction.
- **Bar Line Type Display:** One of the rows is selected to display an analog bar line every half column by setting second color with proper character set.
- **Fringe Function:** Fringe off/on.
- **Background Color:** Eight kinds of color including black background color.

- **ON/OFF Control:** Character display, backgrounds are turned on and off.
- **Number of Display Characters:** 8 rows x 20 columns.
- **Character Set:** 128, 11 x 15 dots.

**Character Generator ROM.** The character generator ROM is organized as 4 Kbytes of 6 bits. The ROM defines 11 x 15 dot characters (Figure 11). The Z86E47 is supplied with Zilog's own character Generator ROM.

**Video RAM.** The Video RAM is organized as 8-row arrays (21 x 7 bits each, Figure 12). The first location of each row array contains the attribute for that row. Row attributes include programmable character color, row background color and control for background off/on. The next 20 bytes contain row character data. Each character byte contains the ASCII code in order to select one of the 128 displayable characters. LDE or LDEI instructions are required to access the Video RAM (Figure 13).

FUNCTIONAL DESCRIPTION (Continued)

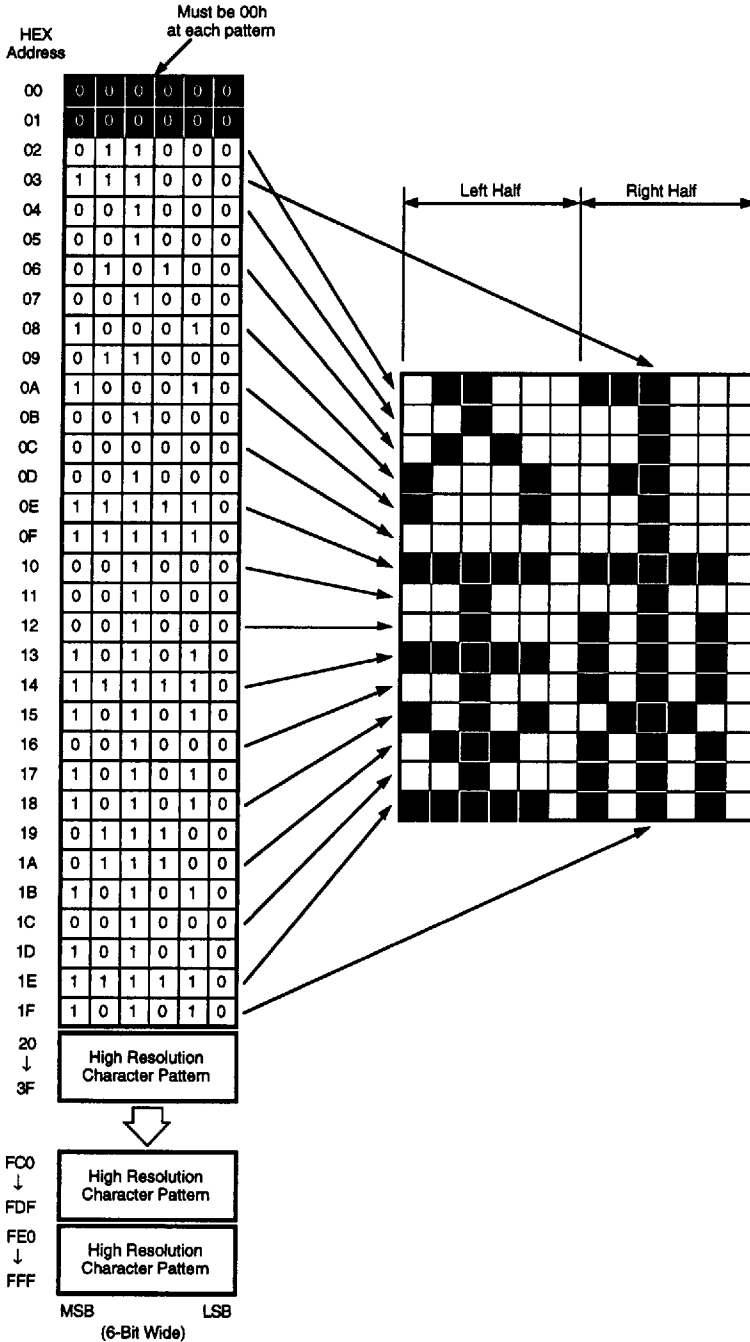
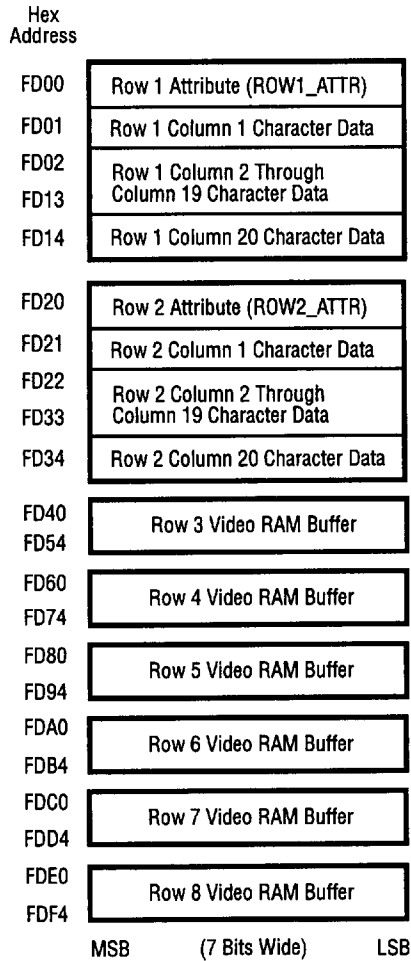


Figure 11. Character ROM Configuration



**Figure 12. Video RAM Configuration**

FUNCTIONAL DESCRIPTION (Continued)

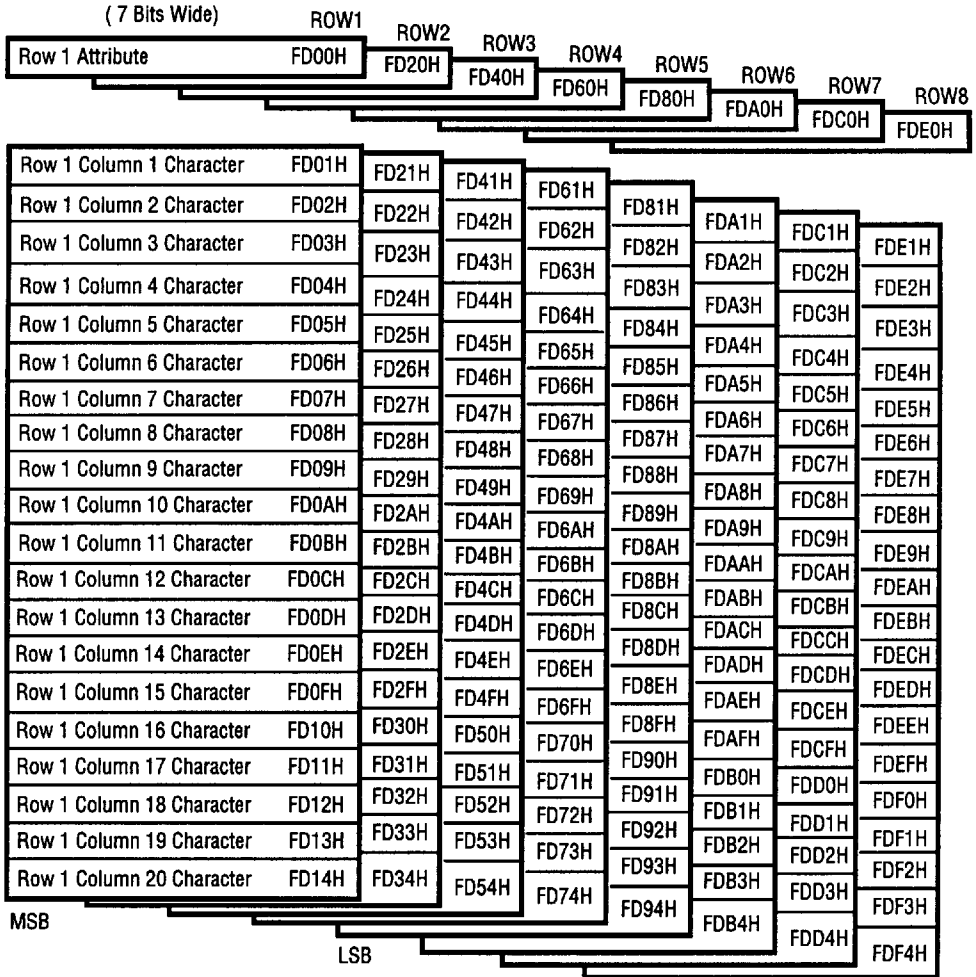
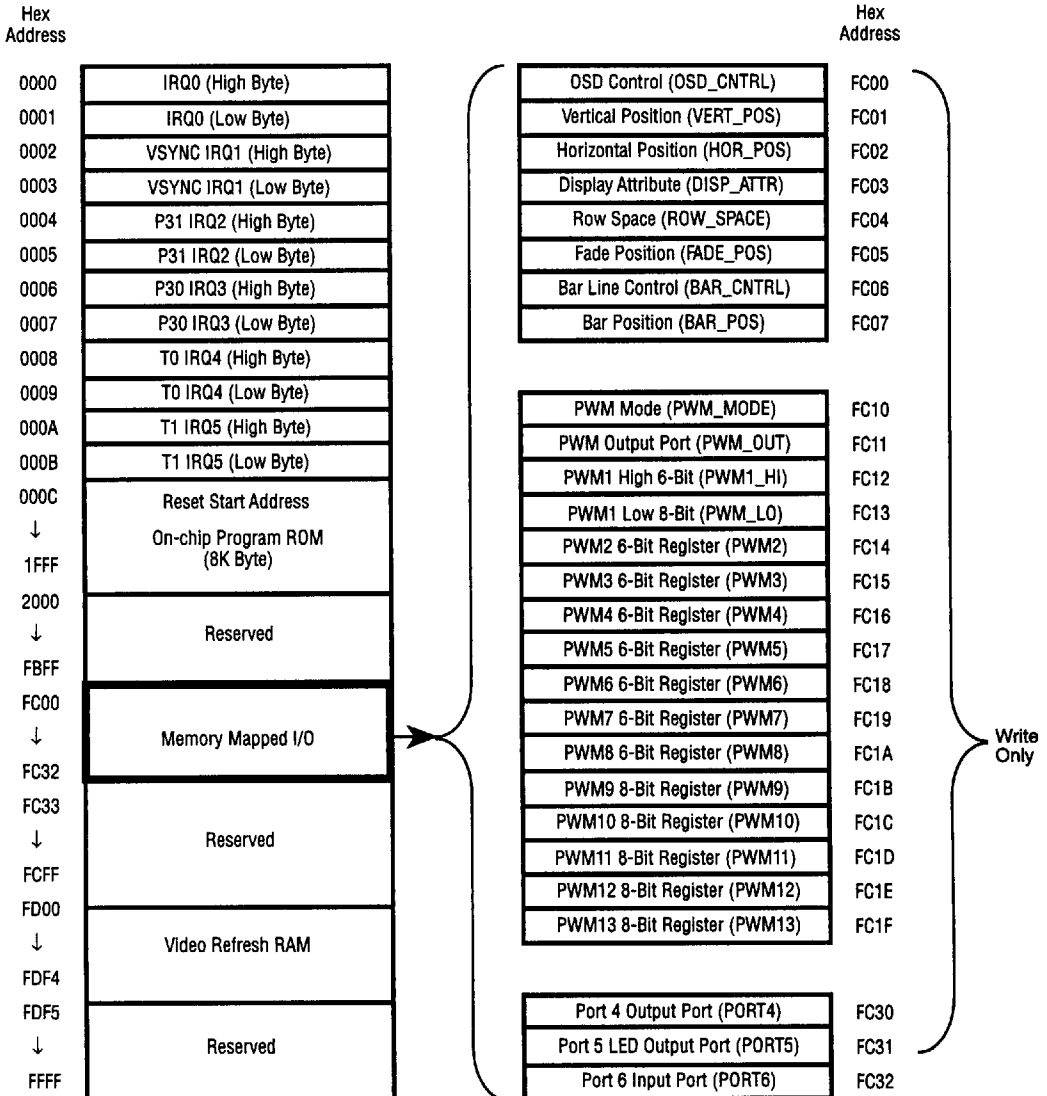


Figure 13. Video RAM Map  
(Read/Write Registers)

**Program Memory.** The Z86C47/E47 program ROM size is 16K bytes (Figure 14). The IRQ vector table is located in the lower address space. The vector address is fetched after the corresponding interrupt and program control is

passed to the specified vector address. IRQ1 vector is fixed to VSYNC interrupt request and occurs at the leading edge of the filtered VSYNC input. Program memory starts at address 000C (HEX) after reset.



**Figure 14. Z86C47/E47 Program Memory**

**FUNCTIONAL DESCRIPTION (Continued)**

**Memory Mapped Register.** All control registers and I/O ports (except Port 2 and Port 3 and timer, interrupt, flags, and stack pointer control registers are assigned to program memory space. Address space FC00 (HEX) contains OSD control registers, PWM output registers and Ports 4, 5, and 6 I/O registers. Two bits of the decoded AFC<sub>IN</sub> port are assigned to Port 6 input port. LDE and LDEI instructions are required to transfer data between the Register File and the Memory Mapped Registers.

**Register File.** A total of 253 byte registers are implemented in the Z8 core. Address 00 (HEX), 01 (HEX) and F0 (HEX) are reserved. The Z86C47 register file consists of two I/O Port registers, 236 general-purpose registers and 15 control and status registers (Figure 15). The instructions can access registers directly or indirectly with an 8-bit address field. This also allows short 4-bit register addressing using the Register Pointer. In the 4-bit mode, the register file is divided into sixteen working-register groups, each occupying 16 continuous locations. The Register Pointer addresses the starting location of the active working-register group (Figure 16).

**Note:** Register Bank E0-EF is only accessed through a working register and indirect addressing modes.

See Figure 17 (Z86C47/E47) for the register file reset conditions.

Hex Address		
00	Port 0 (Internal)	
01	Port 1 (Internal)	
02	Port 2 (P2)	
03	Port 3 (P3)	
04	General - Purpose Registers	
EF		
F0		Reserved
F1		Timer Mode (TMR)
F2		Timer/Counter1 (T1)
F3	T1 Prescaler (PRE1)	
F4	Timer/Counter0 (T0)	
F5	T0 Prescaler (PRE0)	
F6	Port 2 Mode (P2M)	
F7	Port 3 Mode (P3M)	
F8	Port 0-1 Mode (P01M)	
F9	Interrupt Priority Reg (IPR)	
FA	Interrupt Request Reg (IRQ)	
FB	Interrupt Mask Reg (IMR)	
FC	Condition Flag (FLAGS)	
FD	Register Pointer (RP)	
FE	Stack Pointer High (SPH)	
FF	Stack Pointer Low (SPL)	

**Figure 15. Register File Configuration**







**Stack.** Either the internal register file or the external data memory is used for the stack. A 16-bit Stack Pointer is used for the external stack, which can reside anywhere in data memory. An 8-bit Stack Pointer is used for the internal stack that resides within the 236 general-purpose registers.

**Counter/Timers.** There are two 8-bit programmable counter/timers (T0-T1), each driven by its own 6-bit programmable prescaler (PRE0 and PRE1). The T1 prescaler

can be driven by internal or external clock sources; however, the T0 prescaler is driven by the internal clock only (Figure 18).

The counter, but not the prescalers, are read at any time without disturbing their value or count mode. The clock source for T1 is user-definable and is the internal microprocessor clock (XTAL clock/4), or an external signal input through Port 3, P31. The counter/timers are programmably cascaded by connecting the T0 output to the input of T1.

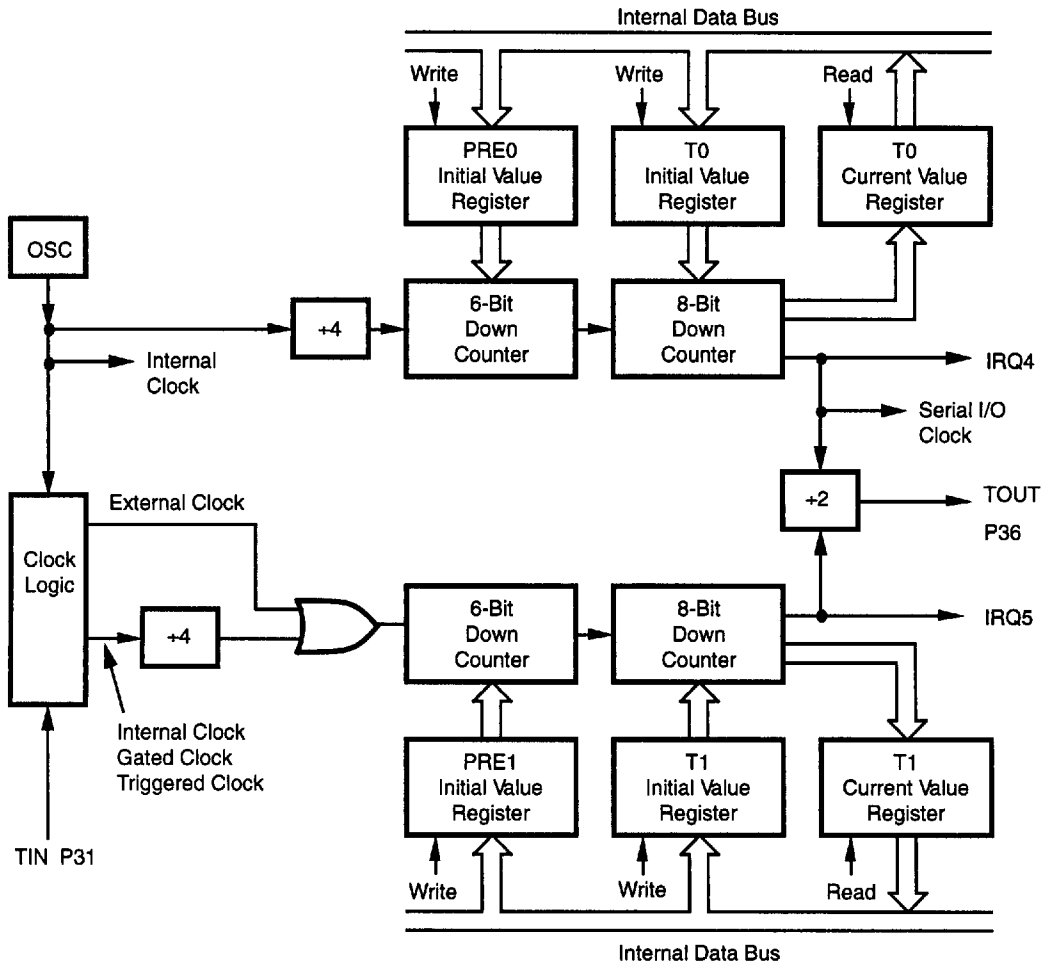
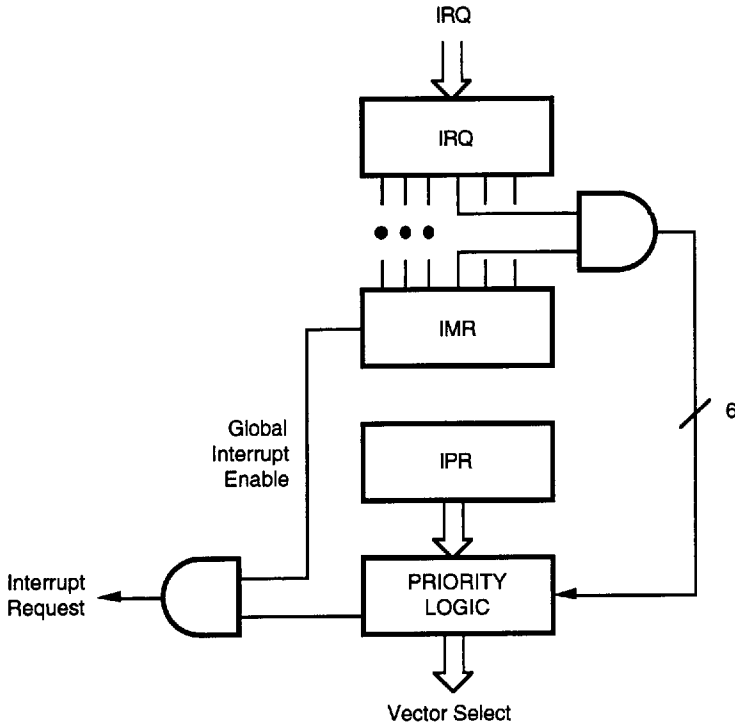


Figure 18. Counter/Timer Block Diagram

**FUNCTIONAL DESCRIPTION** (Continued)

**Interrupts.** The DTC has six different interrupts from six different sources. These interrupts are maskable and prioritized (Figure 19). The six sources are divided as

follows: two sources are claimed by Port 3 (P30, P31), one by VSYNC, two by the counter/timers, and one is software triggered only.



**Figure 19. Interrupt Block Diagram**

**HALT Mode.** The Z86C47/E47 is driven by two internal clocks, TCLK and SCLK. They both oscillate at the crystal frequency. TCLK provides the clock signal for the counter-timers and the interrupt block. SCLK provides the clock signal for all other CPU blocks. Halt mode turns off the internal CPU clock (SCLK) only, but not the XTAL oscillation. The counter/timers and external interrupts remain active. The device may be recovered by interrupts, either external or internally generated. An interrupt request must be executed (enabled) to exit HALT mode. After the interrupt service routine, the program continues from the instruction after the HALT.

**STOP Mode.** The STOP instruction stops crystal oscillation, thereby stopping both SCLK and TCLK. The device ceases to operate. The STOP mode can be released by two methods. The first method is to reset the device. A high level input condition on Port 3 P30 is the second method. After releasing the STOP mode by using either one of the two methods, program execution begins at location %000C (HEX). To complete an instruction prior to entering the standby modes, a NOP instruction has to be placed before the HALT or STOP instructions. This is required because of

instruction pipelining. i.e.:

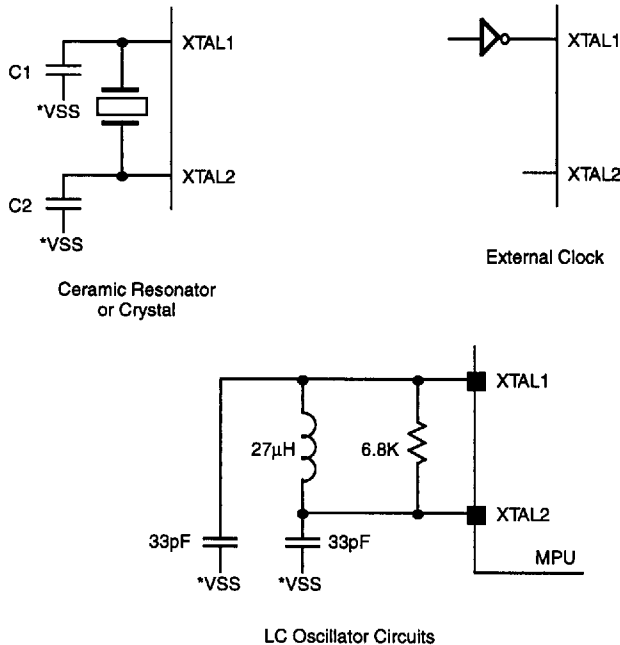
- FF NOP ; clear the pipeline
- 6F STOP ; enter STOP mode  
or
- FF NOP ; clear the pipeline
- 7F HALT ; enter HALT mode

**Notes:**

In STOP mode, XTAL2 pin has an internal pull-up on it and OSCOUT has an internal pull-down. Do not drive XTAL2 with external clock

**Clock.** The Z86C47/E47 on-chip oscillator has a high-gain, parallel-resonant amplifier for connection to a crystal, ceramic resonator, or any suitable external clock source (XTAL1 = Input, XTAL2 = Output). The crystal used must be an AT cut, parallel resonant, 4 MHz max with a series resistance (RS) less than or equal to 100 Ohms.

The crystal source is connected across XTAL1 and XTAL2 L/C using the crystal vendor's recommended capacitors (10 pF < CL < 300 pF, where C1=C2=CL) from each pin directly to V<sub>ss</sub> pin (not to system ground) (Figure 20).



\* Connect to VSS pin and not to system ground.

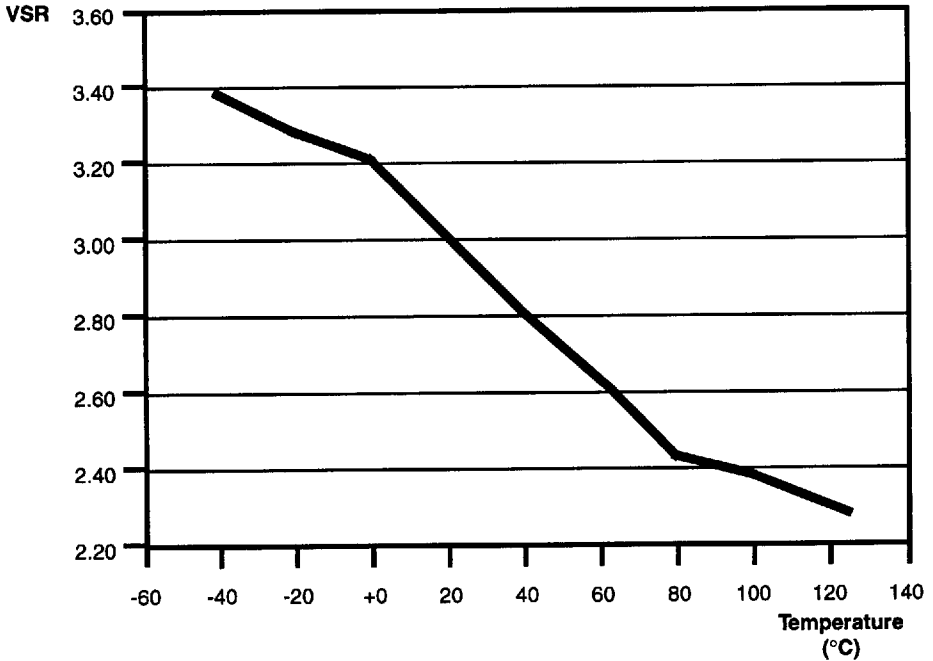
Figure 20. Oscillator Configuration

**FUNCTIONAL DESCRIPTION** (Continued)

**Watch-Dog Timer (WDT).** The Z86C47/E47 is equipped with a permanently enabled Watch-Dog Timer which must be refreshed every 12 ms. Failure to refresh the timer results in a reset of the device. The WDT is permanently enabled and is initially reset upon POR. Every subsequent WDT instruction resets the timer. The Watch-Dog Timer may or may not be enabled during the HALT mode. The instruction WDT 4F (HEX) enables the timer during HALT.

If the WDH instruction is used and if the HALT mode is not released and the Watch-Dog Timer is not retriggered (by the WDT instruction) within 12 ms, a device reset occurs. The WDT instruction affects the Zero (Z), Sign (S), and Overflow (V) flags. The WDT does not run during STOP mode.

**V<sub>CC</sub> Voltage Sensitive Reset (VSR).** Reset is globally driven if VCC is below the specified voltage (Figure 21).



**Figure 21. Typical Voltage Sensitive Reset vs Temperature**

**ABSOLUTE MAXIMUM RATINGS**

Stress greater than those listed under Absolute Maximum Ratings may cause permanent damage to the device. This is a stress rating only; operation of the device at any condition above those indicated in the operational sec-

tions of these specifications is not implied. Exposure to absolute maximum rating conditions for extended periods may affect device reliability.

Symbol	Parameters	Min	Max	Units	Notes
$V_{CC}$	Power Supply Voltage †	-0.3	+7	V	
$V_I$	Input Voltage	-0.3	$V_{CC} + 0.3$	V	
$V_O$	Output Voltage	-0.3	$V_{CC} + 8.0$	V	[1]
$I_{OH}$	Output Current High		-10	mA	[2] 1 pin
$I_{OH}$	Output Current High		-100	mA	all total
$I_{OL}$	Output Current Low		20	mA	1 pin
$I_{OL}$	Output Current Low		40	mA	[3] (1 pin)
$I_{OL}$	Output Current Low, all total		200	mA	
$T_A$	Operating Temperature	††		°C	
$T_{STG}$	Storage Temperature	-65	+150	°C	

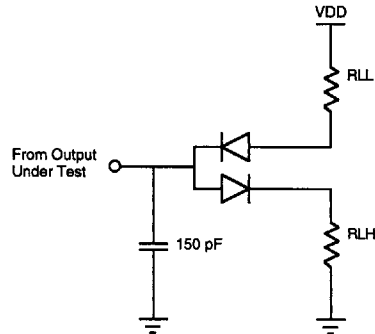
**Notes:**

- [1] Port 2 open-drain
- [2] PWM open-drain outputs
- [3] Port 5

† Voltage on all pins with respect to GND  
 †† See Ordering Information

**STANDARD TEST CONDITIONS**

The characteristics listed below apply for standard test conditions as noted. All voltages are referenced to GND. Positive current flows into the referenced pin (Figure 22).



**Figure 22. Test Load Diagram**

**CAPACITANCE**

$T_A = 25^\circ\text{C}$ ,  $V_{CC} = \text{GND} = 0\text{V}$ ,  $\text{Freq} = 1.0 \text{ MHz}$ , unmeasured pins to GND.

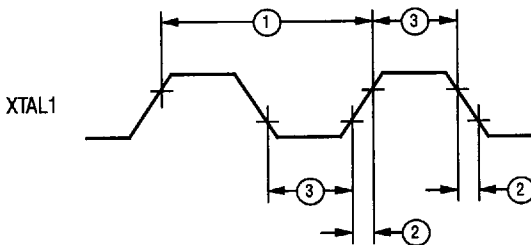
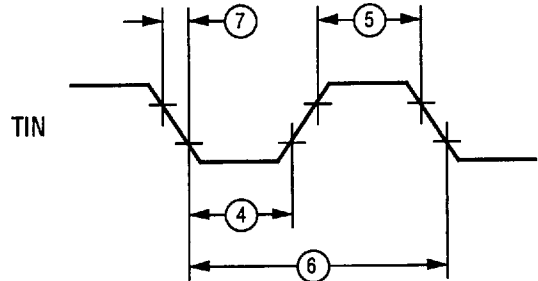
Parameter	Max	Units
Input capacitance	10	pF
Output capacitance	20	pF
I/O capacitance	25	pF
$AFC_{IN}$ input capacitance	10	pF

**DC CHARACTERISTICS**
 $T_A = 0^\circ\text{C to } +70^\circ\text{C}; V_{CC} = +4.5\text{V to } +5.5\text{V}; F_{OSC} = 4\text{ MHz}$ 

Sym	Parameter	$T_A = 0^\circ\text{C to } +70^\circ\text{C}$		Typical @ 25°C	Units	Conditions
		Min	Max			
$V_{IL}$	Input Voltage Low	0	$0.2 V_{CC}$	1.48	V	
$V_{ILC}$	Input XTAL/Osc In Low		$0.07 V_{CC}$	0.98	V	External Clock Generator Driven
$V_{IH}$	Input Voltage High	$0.7 V_{CC}$	$V_{CC}$	3.0	V	
$V_{IHC}$	Input XTAL/Osc in High	$0.8 V_{CC}$	$V_{CC}$	3.2	V	External Clock Generator Driven
$V_{HY}$	Schmitt Hysteresis	$0.1 V_{CC}$		0.8	V	
$V_{PU}$	Maximum Pull-up Voltage		12		V	[2]
$V_{OL}$	Output Voltage Low		0.4	0.16	V	$I_{OL} = 1.00\text{ mA}$
			0.4	0.19	V	$I_{OL} = 3.2\text{ mA}, [1]$
			0.4	0.19	V	$I_{OL} = 0.75\text{ mA} [2]$
			1.5	1.00	V	$I_{OL} = 10\text{ mA} [1]$
$V_{00-01}$	AFC Level 01 In		$0.45 V_{CC}$	1.9	V	
$V_{01-11}$	AFC Level 11 In	$0.5 V_{CC}$	$0.75 V_{CC}$	3.12	V	
$V_{OH}$	Output Voltage High	$V_{CC}-0.4$		4.75	V	$I_{OH} = -0.75\text{ mA}$
$I_{IR}$	Reset Input Current		-80	-46	$\mu\text{A}$	$V_{RL} = 0\text{V}$
$I_{IL}$	Input Leakage	-3.0	3.0	0.01	$\mu\text{A}$	$0\text{V}, V_{CC}$
$I_{OL}$	Tri-State Leakage	-3.0	3.0	0.02	$\mu\text{A}$	$0\text{V}, V_{CC}$
$I_{CC}$	Supply Current		20	13.2	mA	All inputs at rail; outputs floating
			6	3.2	mA	All inputs at rail; outputs floating
			10	0.1	$\mu\text{A}$	All inputs at rail; outputs floating

**Notes:**

- [1] Port 5
- [2] PWM Open-Drain

**AC CHARACTERISTICS**
**Timing Diagrams**

**Figure 23. External Clock**

**Figure 24. Counter Timer**

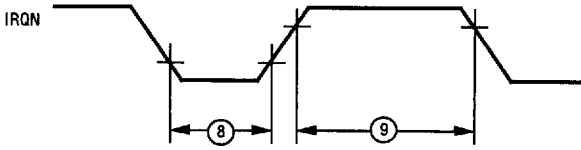


Figure 25. Interrupt Request

2

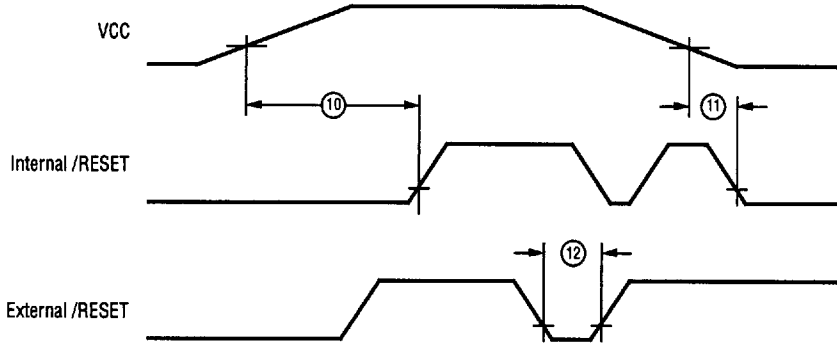


Figure 26. Power On Reset

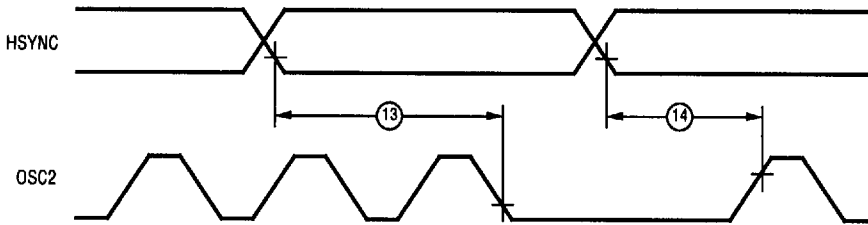




Figure 27. On Screen Display

**AC CHARACTERISTICS**
 $T_A = 0^\circ\text{C to } +70^\circ\text{C}; V_{CC} = +4.5\text{V to } +5.5\text{V}; F_{OSC} = 4\text{ MHz}$ 

No	Symbol	Parameter	Min	Max	Unit
1	TpC	Input clock period	250	1000	ns
2	TrC,TfC	Clock input raise and fall		15	ns
3	TwC	Input clock width	125		ns
4	TwTinL	Timer input low width	70		ns
5	TwTinH	Timer input high width	3TpC		
6	TpTin	Timer input period	8TpC		
7	TrTin,TfTin	Timer input raise and fall		100	ns
8A	TwIL	Int req input low	70		ns
8B	TwIL		3TpC		
9	TwIH	Int request input high	3TpC		
10	TdPOR	Power-On Reset delay	25	100	ms
11	TdLVIRES	Low voltage detect to Internal RESET condition	200		ns
12	TwRES	Reset minimum width	5TpC		
13	TdHsOI	$H_{SYNC}$ start to $V_{OSC}$ stop	2TpV	3TpV	
14	TdHsOh	$H_{SYNC}$ end to $V_{OSC}$ start		1TpV	
15	TdWDT	WDT Refresh Time		12	ms

**Notes:**

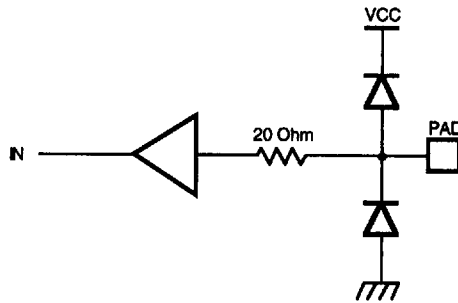
[1] Refer to DC Characteristics for details on switching levels.

\* Units in nanoseconds

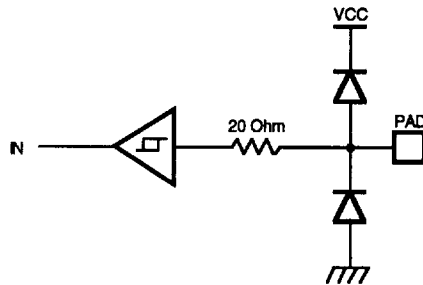


**SUMMARY**  
Input/Output Circuits

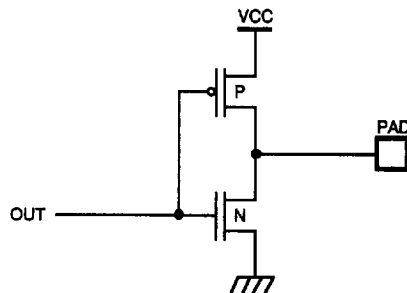
2



**Figure 28. Input Only**  
(Pad Type 1)

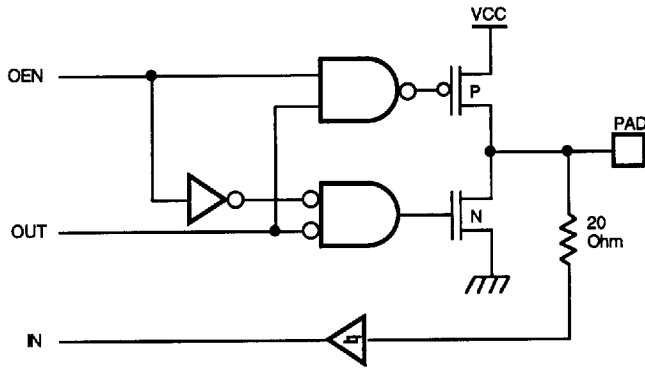


**Figure 29. Input Only, Schmitt-Triggered**  
(Pad Type 2)

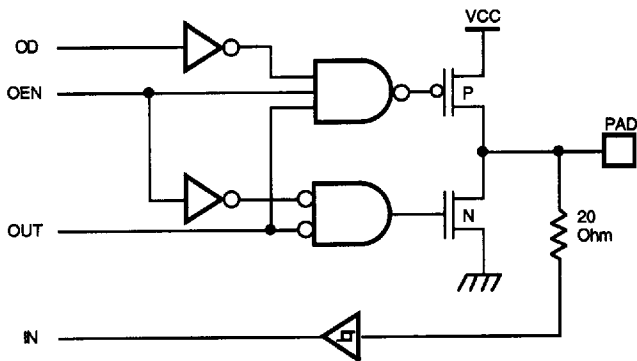


**Figure 30. Output Only**  
(Pad Type 3)

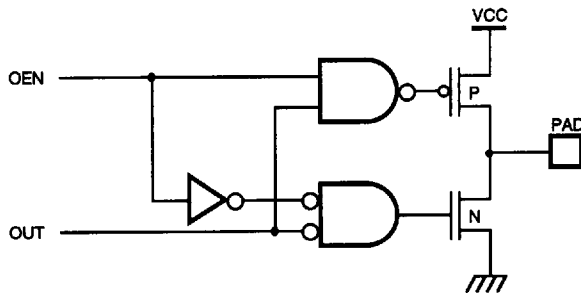
**SUMMARY**  
Input/Output Circuits (Continued)



**Figure 31. Input/Output Tri-State**  
(Pad Type 4)



**Figure 32. Input/Output, Tri-state, Open-Drain**  
(Pad Type 5)

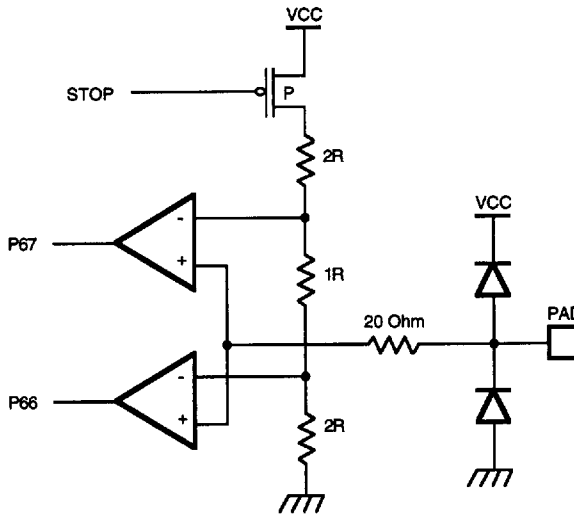


**Figure 33. Output Only, Tri-State**  
(Pad Type 6)



**SUMMARY**

Input/Output Circuits (Continued)



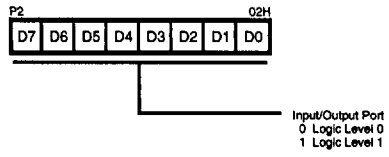
**Figure 36. AFC Input Circuit**  
(Pad Type 9)

Mapping of Symbolic Pad Types to Pin Functions

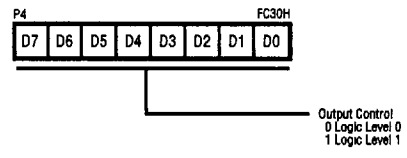
Pin Name	Pad Type	Notes
XTAL1, OSC <sub>IN</sub> XTAL2, OSC <sub>OUT</sub>	1	High gain start, low gain run amplifier circuit
/RESET	8	
P00-P07	6	
P10-P17	4	
P20-P27	5	
P30-P31	2	
P34-P36	3	
P40-P47	3	
P50-P57	3	
P60-P65	2	
AFC <sub>IN</sub>	9	
PWM2-PWM13	7	
HSYNC, VSYNC	2	
VRED, VBLUE, VGREEN,	3	
VBLANK	3	
PWM1	3	

**DTC CONTROL REGISTER DIAGRAMS**

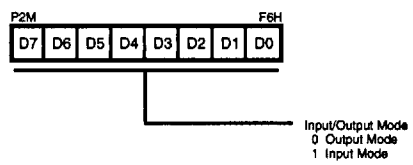
Port Registers



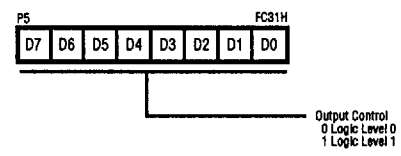
**Figure 37. Port 2 Register**  
(Read/Write Only)



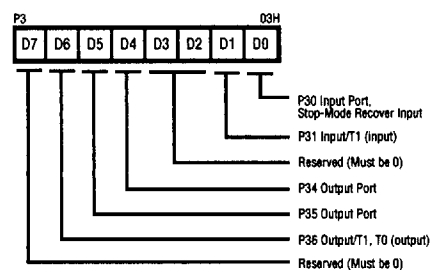
**Figure 40. Port 4 Register**  
(Write Only)



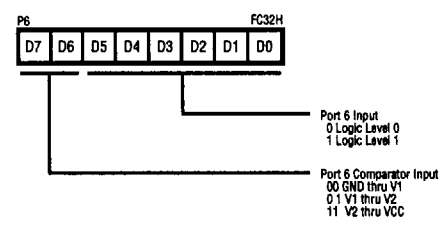
**Figure 38. Port 2 Mode Register**  
(Write Only)



**Figure 41. Port 5 Register**  
(Write Only)



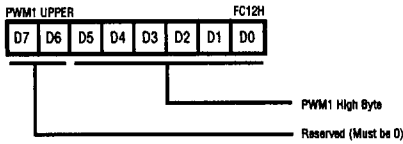
**Figure 39. Port 3 Register**  
(Read Only P31-P30)  
(Write Only P34, 35, 36)



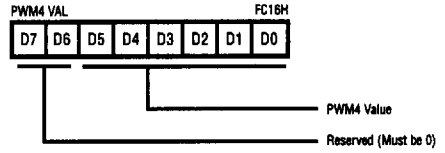
**Figure 42. Port 6 Register**  
(Read Only)

2

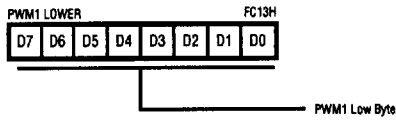
**DTC CONTROL REGISTER DIAGRAMS**  
PWM Registers



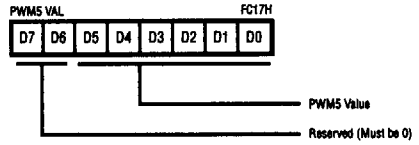
**Figure 43. PWM 1 High Value**  
(Write Only)



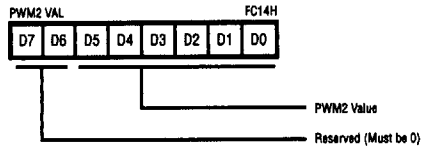
**Figure 47. PWM 4 Value**  
(Write Only)



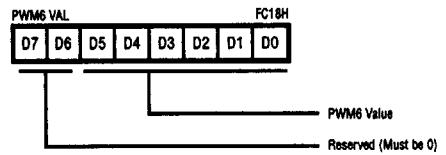
**Figure 44. PWM 1 Low Value**  
(Write Only)



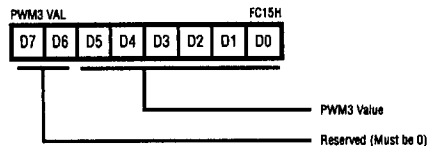
**Figure 48. PWM 5 Value**  
(Write Only)



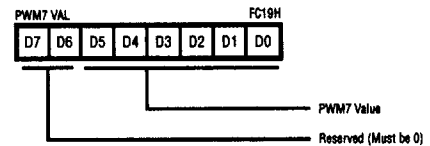
**Figure 45. PWM 2 Value**  
(Write Only)



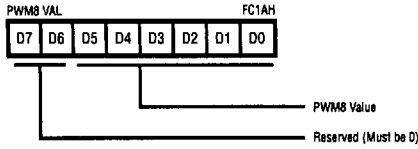
**Figure 49. PWM 6 Value**  
(Write Only)



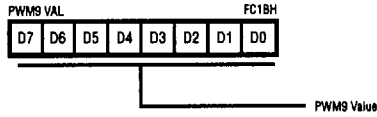
**Figure 46. PWM 3 Value**  
(Write Only)



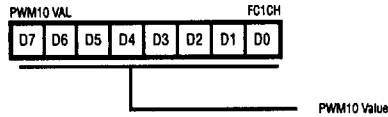
**Figure 50. PWM 7 Value**  
(Write Only)



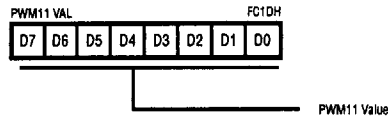
**Figure 51. PWM 8 Value**  
(Write Only)



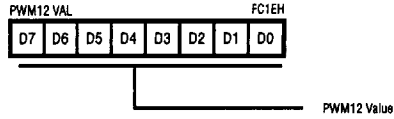
**Figure 52. PWM 9 Value**  
(Write Only)



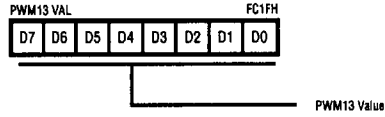
**Figure 53. PWM 10 Value**  
(Write Only)



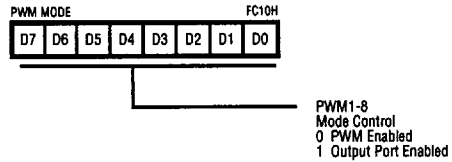
**Figure 54. PWM 11 Value**  
(Write Only)



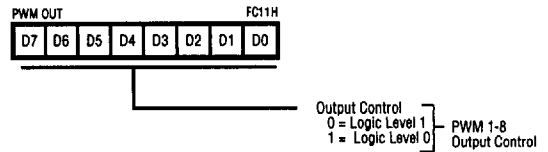
**Figure 55. PWM 12 Value**  
(Write Only)



**Figure 56. PWM 13 Value Register**  
(Write Only)



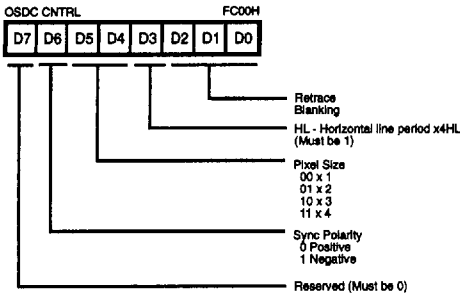
**Figure 57. PWM Mode Register**  
(Write Only)



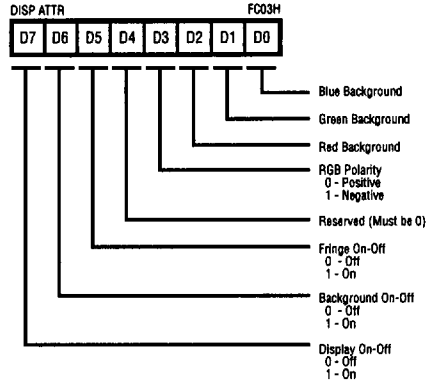
**Figure 58. PWM Port Output Register**  
(Write Only)

**DTC CONTROL REGISTER DIAGRAMS**

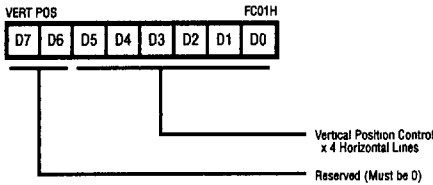
**OSD Registers**



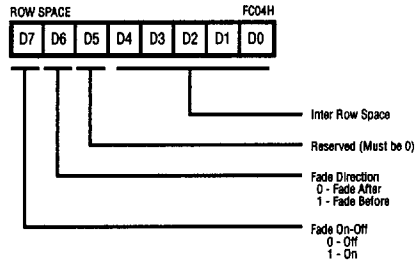
**Figure 59. OSD Control Register**  
(Write Only)



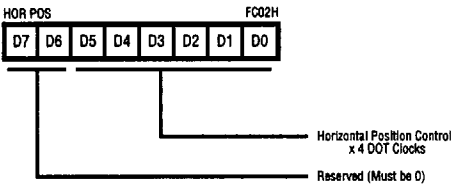
**Figure 62. OSD Display Attribute Register**  
(Write Only)



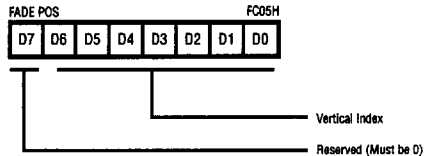
**Figure 60. OSD Vertical Position Register**  
(Write Only)



**Figure 63. OSD Row Space Register**  
(Write Only)

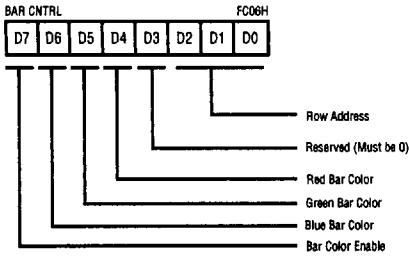


**Figure 61. OSD Horizontal Position Register**  
(Write Only)

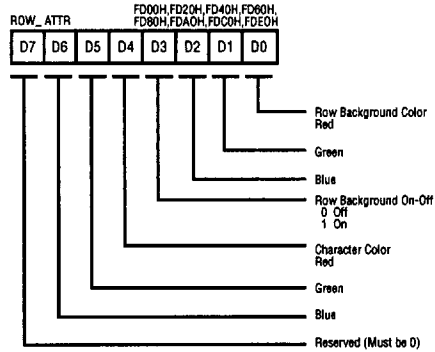


**Figure 64. OSD Fade Position Register**  
(Write Only)

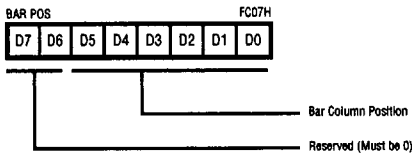




**Figure 65. OSD Bar Control Register**  
(Write Only)

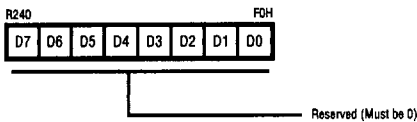


**Figure 67. ROW\_ATTR Register**  
(Write Only)

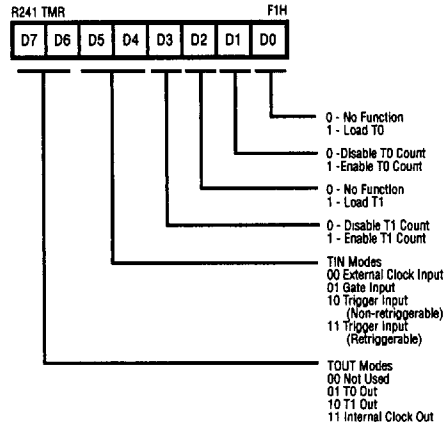


**Figure 66. OSD Bar Position Register**  
(Write Only)

**DTC CONTROL REGISTER DIAGRAMS**  
Z8 Microcomputer Control Register Diagrams



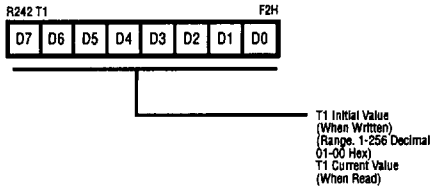
**Figure 68. Reserved**  
(F0H)



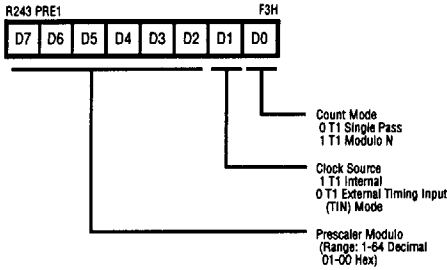
**Figure 69. Timer Mode Register**  
(F1H; Read/Write)

**DTC CONTROL REGISTER DIAGRAMS**

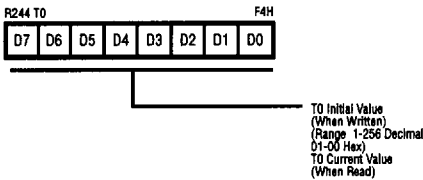
Z8 Microcomputer Control Register Diagrams (Continued)



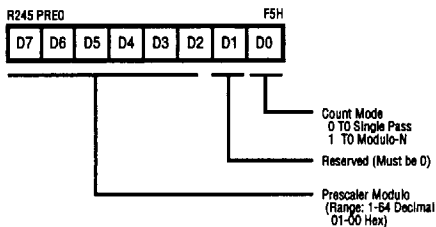
**Figure 70. Counter Timer 1 Register**  
(F2H; Read/Write)



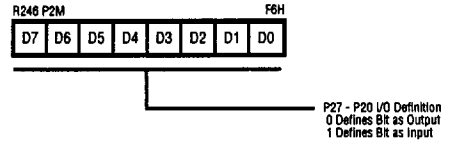
**Figure 71. Prescaler 1 Register**  
(F3H; Write Only)



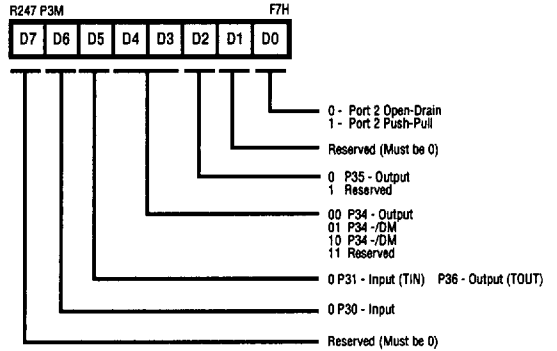
**Figure 72. Counter/Timer 0 Register**  
(F4H; Read/Write)



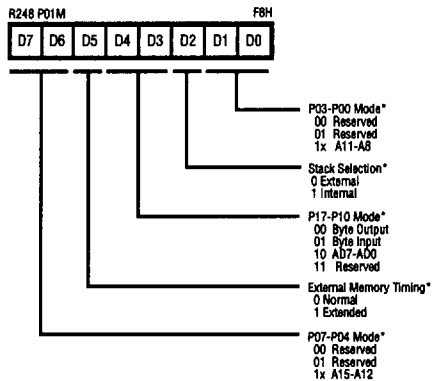
**Figure 73. Prescaler 0 Register**  
(F5H; Write Only)



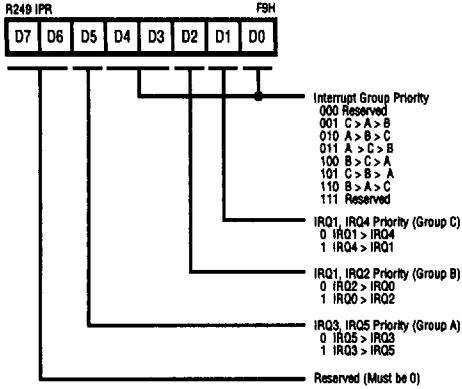
**Figure 74. Port 2 Mode Register**  
(F6H; Write Only)



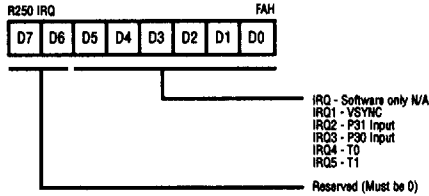
**Figure 75. Port 3 Mode Register**  
(F7H; Write Only)



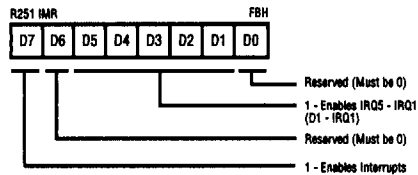
**Figure 76. Port 0 and 1 Mode Register**  
(F8H; Write Only)  
\*(For Z86E47 only)



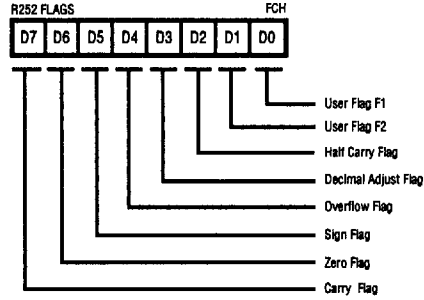
**Figure 77. Interrupt Priority Register**  
(F9H; Write Only)



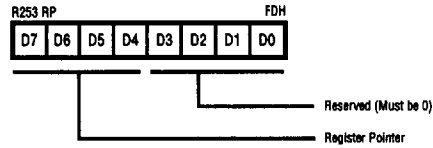
**Figure 78. Interrupt Request Register**  
(FAH; Read/Write)



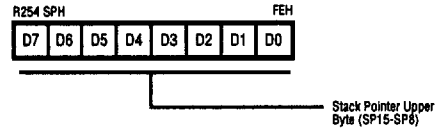
**Figure 79. Interrupt Mask Register**  
(FBH; Read/Write)



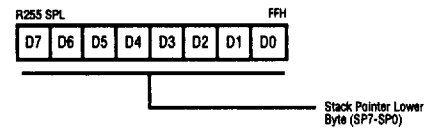
**Figure 80. Flag Register**  
(FCH; Read/Write)



**Figure 81. Register Pointer**  
(FDH; Read/Write)



**Figure 82. Stack Pointer**  
(FEH; Read/Write)



**Figure 83. Stack Pointer**  
(FFH; Read/Write)

## INSTRUCTION SET NOTATION

**Addressing Modes.** The following notation is used to describe the addressing modes and instruction operations as shown in the instruction summary.

Symbol	Meaning
IRR	Indirect register pair or indirect working-register pair address
Irr	Indirect working-register pair only
X	Indexed address
DA	Direct address
RA	Relative address
IM	Immediate
R	Register or working-register address
r	Working-register address only
IR	Indirect-register or indirect working-register address
Ir	Indirect working-register address only
RR	Register pair or working register pair address

**Symbols.** The following symbols are used in describing the instruction set.

Symbol	Meaning
dst	Destination location or contents
src	Source location or contents
cc	Condition code
@	Indirect address prefix
SP	Stack Pointer
PC	Program Counter
FLAGS	Flag register (Control Register 252)
RP	Register Pointer (R253)
IMR	Interrupt mask register (R251)

**Flags.** Control register (R252) contains the following six flags:

Symbol	Meaning
C	Carry flag
Z	Zero flag
S	Sign flag
V	Overflow flag
D	Decimal-adjust flag
H	Half-carry flag

Affected flags are indicated by:

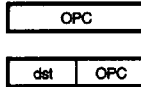
0	Clear to zero
1	Set to one
*	Set to clear according to operation
-	Unaffected
x	Undefined

**CONDITION CODES**

Value	Mnemonic	Meaning	Flags Set
1000		Always True	
0111	C	Carry	C = 1
1111	NC	No Carry	C = 0
0110	Z	Zero	Z = 1
1110	NZ	Not Zero	Z = 0
1101	PL	Plus	S = 0
0101	MI	Minus	S = 1
0100	OV	Overflow	V = 1
1100	NOV	No Overflow	V = 0
0110	EQ	Equal	Z = 1
1110	NE	Not Equal	Z = 0
1001	GE	Greater Than or Equal	(S XOR V) = 0
0001	LT	Less than	(S XOR V) = 1
1010	GT	Greater Than	[Z OR (S XOR V)] = 0
0010	LE	Less Than or Equal	[Z OR (S XOR V)] = 1
1111	UGE	Unsigned Greater Than or Equal	C = 0
0111	ULT	Unsigned Less Than	C = 1
1011	UGT	Unsigned Greater Than	(C = 0 AND Z = 0) = 1
0011	ULE	Unsigned Less Than or Equal	(C OR Z) = 1
0000	F	Never True (Always False)	—

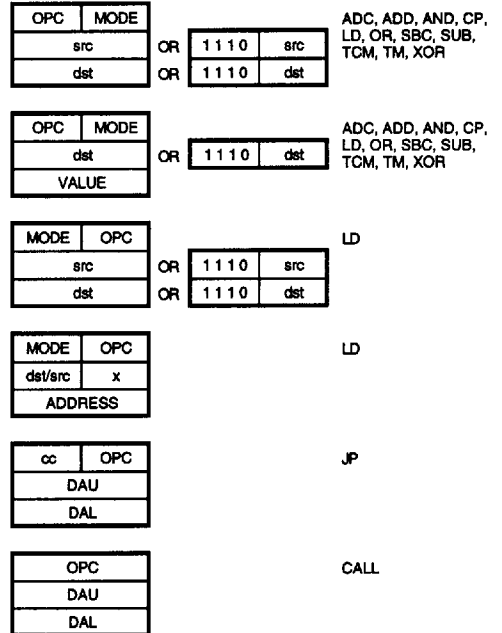
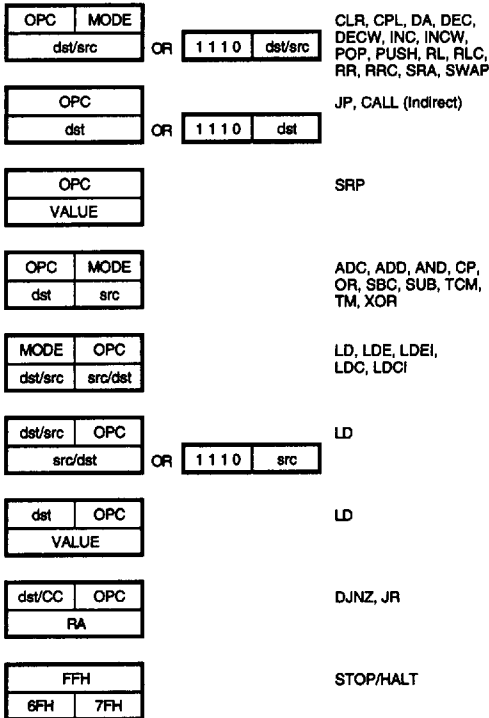
**2**

INSTRUCTION FORMATS



CCF, DI, EI, IRET, NOP,  
RCF, RET, SCF

One-Byte Instructions



Two-Byte Instructions

Three-Byte Instructions

INSTRUCTION SUMMARY

**Note:** Assignment of a value is indicated by the symbol "←". For example:

$$dst \leftarrow dst + src$$

indicates that the source data is added to the destination data and the result is stored in the destination location. The

notation "addr (n)" is used to refer to bit (n) of a given operand location. For example:

$$dst(7)$$

refers to bit 7 of the destination operand.

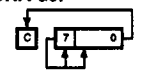
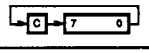
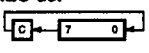
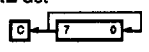
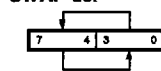
**INSTRUCTION SUMMARY (Continued)**

Instruction and Operation	Address Mode		Opcode Byte (Hex)	Flags Affected						
	dst	src		C	Z	S	V	D	H	
<b>ADC</b> dst, src dst←dst + src + C	†		1[ ]	*	*	*	*	0	*	
<b>ADD</b> dst, src dst←dst + src	†		0[ ]	*	*	*	*	0	*	
<b>AND</b> dst, src dst←dst AND src	†		5[ ]	-	*	*	0	-	-	
<b>CALL</b> dst SP←SP - 2 @SP←PC, PC←dst	DA IRR		D6 D4	-	-	-	-	-	-	
<b>CCF</b> C←NOT C			EF	*	-	-	-	-	-	
<b>CLR</b> dst dst←0	R IR		B0 B1	-	-	-	-	-	-	
<b>COM</b> dst dst←NOT dst	R IR		60 61	-	*	*	0	-	-	
<b>CP</b> dst, src dst - src	†		A[ ]	*	*	*	*	-	-	
<b>DA</b> dst dst←DA dst	R IR		40 41	*	*	*	X	-	-	
<b>DEC</b> dst dst←dst - 1	R IR		00 01	-	*	*	*	-	-	
<b>DECW</b> dst dst←dst - 1	RR IR		80 81	-	*	*	*	-	-	
<b>DI</b> IMR(7)←0			8F	-	-	-	-	-	-	
<b>DJNZr</b> , dst r←r - 1 if r ≠ 0 PC←PC + dst Range. +127, -128	RA		rA r = 0 - F	-	-	-	-	-	-	
<b>EI</b> IMR(7)←1			9F	-	-	-	-	-	-	
<b>HALT</b>			7F	-	-	-	-	-	-	

Instruction and Operation	Address Mode		Opcode Byte (Hex)	Flags Affected						
	dst	src		C	Z	S	V	D	H	
<b>INC</b> dst dst←dst + 1	r R IR		rE r = 0 - F 20 21	-	*	*	*	-	-	
<b>INCW</b> dst dst←dst + 1	RR IR		A0 A1	-	*	*	*	-	-	
<b>IRET</b> FLAGS←@SP; SP←SP + 1 PC←@SP; SP←SP + 2; IMR(7)←1			BF	*	*	*	*	*	*	
<b>JP</b> cc, dst if cc is true PC←dst	DA IRR		cD c = 0 - F 30	-	-	-	-	-	-	
<b>JR</b> cc, dst if cc is true, PC←PC + dst Range: +127, -128	RA		cB c = 0 - F	-	-	-	-	-	-	
<b>LD</b> dst, src dst←src	r r R r X r lr r R R R R IR R IR R	lm R r	rC r8 r9 r = 0 - F C7 D7 E3 F3 E4 E5 E6 E7 F5	-	-	-	-	-	-	
<b>LDC</b> dst, src	r	lrr	C2	-	-	-	-	-	-	
<b>LDCI</b> dst, src dst←src r←r + 1; rr←rr + 1	lr	lrr	C3	-	-	-	-	-	-	

**INSTRUCTION SUMMARY (Continued)**

Instruction and Operation	Address Mode		Opcode Byte (Hex)	Flags Affected						
	dst	src		C	Z	S	V	D	H	
<b>NOP</b>			FF	-	-	-	-	-	-	-
<b>OR</b> dst, src dst←dst OR src	†		4[ ]	-	*	*	0	-	-	
<b>POP</b> dst dst←@SP; SP←SP + 1	R		50	-	-	-	-	-	-	
	IR		51							
<b>PUSH</b> src SP←SP - 1; @SP←src	R		70	-	-	-	-	-	-	
	IR		71							
<b>RCF</b> C←0			CF	0	-	-	-	-	-	
<b>RET</b> PC←@SP; SP←SP + 2			AF	-	-	-	-	-	-	
<b>RL</b> dst	R		90	*	*	*	*	*	-	-
	IR		91							
<b>RLC</b> dst	R		10	*	*	*	*	*	-	-
	IR		11							
<b>RR</b> dst	R		E0	*	*	*	*	*	-	-
	IR		E1							
<b>RRC</b> dst	R		C0	*	*	*	*	*	-	-
	IR		C1							
<b>SBC</b> dst, src dst←dst←src←C	†		3[ ]	*	*	*	*	*	1	*
<b>SCF</b> C←1			DF	1	-	-	-	-	-	
<b>SRA</b> dst	R		D0	*	*	*	0	-	-	
	IR		D1							
<b>SRP</b> src RP←src		Im	31	-	-	-	-	-	-	
<b>STOP</b>			6F	-	-	-	-	-	-	
<b>SUB</b> dst, src dst←dst←src	†		2[ ]	*	*	*	*	1	*	
<b>SWAP</b> dst	R		F0	X	*	*	*	X	-	-
	IR		F1							
<b>TCM</b> dst, src (NOT dst) AND src	†		6[ ]	-	*	*	0	-	-	
<b>TM</b> dst, src dst AND src	†		7[ ]	-	*	*	0	-	-	
<b>WDH</b>			4F	-	X	X	X	X	-	-
<b>WDT</b>			5F	-	X	X	X	X	-	-
<b>XOR</b> dst, src dst←dst XOR src	†		B[ ]	-	*	*	0	-	-	



† These instructions have an identical set of addressing modes, which are encoded for brevity. The first opcode nibble is found in the instruction set table above. The second nibble is expressed symbolically by a '[ ]' in this table, and its value is found in the following table to the left of the applicable addressing mode pair.

For example, the opcode of an ADC instruction using the addressing modes r (destination) and Ir (source) is 13.

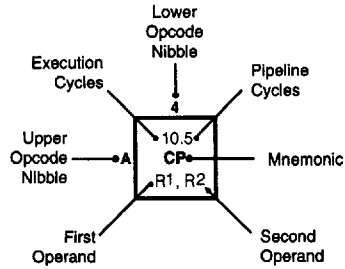
Address Mode	Lower Opcode Nibble
r r	[2]
r Ir	[3]
R R	[4]
R IR	[5]
R IM	[6]
IR IM	[7]



OPCODE MAP

		Lower Nibble (Hex)															
		0	1	2	3	4	5	6	7	8	9	A	B	C	D	E	F
Upper Nibble (Hex)	0	6.5 DEC R1	6.5 DEC IR1	6.5 ADD r1, r2	6.5 ADD r1, IRR2	10.5 ADD R2, R1	10.5 ADD IR2, R1	10.5 ADD R1, IM	10.5 ADD IR1, IM	6.5 LD r1, R2	6.5 LD r2, R1	12/10.5 DUNZ r1, RA	12/10.0 JR cc, RA	6.5 LD r1, IM	12.10.0 JP cc, DA	6.5 INC r1	
	1	6.5 RLC R1	6.5 RLC IR1	6.5 ADC r1, r2	6.5 ADC r1, IRR2	10.5 ADC R2, R1	10.5 ADC IR2, R1	10.5 ADC R1, IM	10.5 ADC IR1, IM								
	2	6.5 INC R1	6.5 INC IR1	6.5 SUB r1, r2	6.5 SUB r1, IRR2	10.5 SUB R2, R1	10.5 SUB IR2, R1	10.5 SUB R1, IM	10.5 SUB IR1, IM								
	3	8.0 JP IRRR1	6.1 SRP IM	6.5 SBC r1, r2	6.5 SBC r1, IRR2	10.5 SBC R2, R1	10.5 SBC IR2, R1	10.5 SBC R1, IM	10.5 SBC IR1, IM								
	4	8.5 DA R1	8.5 DA IR1	6.5 OR r1, r2	6.5 OR r1, IRR2	10.5 OR R2, R1	10.5 OR IR2, R1	10.5 OR R1, IM	10.5 OR IR1, IM								6.0 WDH
	5	10.5 POP R1	10.5 POP IR1	6.5 AND r1, r2	6.5 AND r1, IRR2	10.5 AND R2, R1	10.5 AND IR2, R1	10.5 AND R1, IM	10.5 AND IR1, IM								6.0 WDT
	6	6.5 COM R1	6.5 COM IR1	6.5 TCM r1, r2	6.5 TCM r1, IRR2	10.5 TCM R2, R1	10.5 TCM IR2, R1	10.5 TCM R1, IM	10.5 TCM IR1, IM								6.0 STOP
	7	10/12.1 PUSH R2	12/14.1 PUSH IR2	6.5 TM r1, r2	6.5 TM r1, IRR2	10.5 TM R2, R1	10.5 TM IR2, R1	10.5 TM R1, IM	10.5 TM IR1, IM								7.0 HALT
	8	10.5 DECW RR1	10.5 DECW IR1	12.0 LDE r1, IRR2	18.0 LDEI Irr1, IRR2												6.1 DI
	9	6.5 RL R1	6.5 RL IR1	12.0 LDE r2, IRR1	18.0 LDEI Irr2, IRR1												6.1 EI
	A	10.5 INCW RR1	10.5 INCW IR1	6.5 CP r1, r2	6.5 CP r1, IRR2	10.5 CP R2, R1	10.5 CP IR2, R1	10.5 CP R1, IM	10.5 CP IR1, IM								14.0 RET
	B	6.5 CLR R1	6.5 CLR IR1	6.5 XOR r1, r2	6.5 XOR r1, IRR2	10.5 XOR R2, R1	10.5 XOR IR2, R1	10.5 XOR R1, IM	10.5 XOR IR1, IM								16.0 IRET
	C	6.5 RRC R1	6.5 RRC IR1	12.0 LDC r1, IRR2	18.0 LDCI Irr1, IRR2				10.5 LD r1, X, R2								6.5 RCF
	D	6.5 SRA R1	6.5 SRA IR1	12.0 LDC r1, IRR2	18.0 LDCI Irr1, IRR2	20.0 CALL* IRRR1		20.0 CALL DA	10.5 LD r2, X, R1								6.5 SCF
	E	6.5 RR R1	6.5 RR IR1		6.5 LD r1, IRR2	10.5 LD R2, R1	10.5 LD IR2, R1	10.5 LD R1, IM	10.5 LD IR1, IM								6.5 CCF
	F	8.5 SWAP R1	8.5 SWAP IR1		6.5 LD Irr1, r2		10.5 LD R2, IRR1										6.0 NOP

Bytes per Instruction



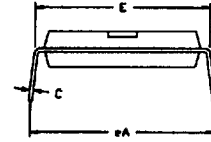
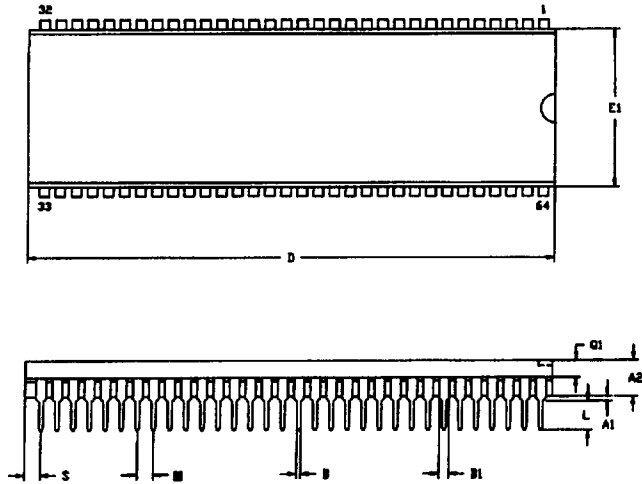
**Legend:**  
R = 8-bit Address  
r = 4-bit Address  
R1 or r1 = Dst Address  
R2 or r2 = Src Address

**Sequence:**  
Opcode, First Operand,  
Second Operand

**Note:** Blank areas not defined.

\*2-byte instruction appears as a 3-byte instruction

2

**PACKAGE INFORMATION**


SYMBOL	MILLIMETER		INCH	
	MIN	MAX	MIN	MAX
A1	0.38	1.07	.015	.042
A2	3.68	3.94	.145	.155
B	0.38	0.53	.015	.021
BI	0.94	1.09	.037	.043
C	0.23	0.38	.009	.015
D	57.40	58.17	2.260	2.290
E	18.80	19.30	.740	.760
E1	16.76	17.27	.660	.680
M	1.78 TYP		.070 TYP	
eA	19.30	20.32	.760	.800
L	3.18	3.81	.125	.150
Q1	1.65	1.91	.065	.075
S	1.02	1.78	.040	.070

CONTROLLING DIMENSIONS - INCH

**64-Pin DIP Package Diagram**

## ORDERING INFORMATION

### Z86C47/E47

4 MHz  
64-pin DIP  
Z86C4704PSC

For fast results, contact your local Zilog sales office for assistance in ordering the part desired.

**Package**  
P = Plastic DIP

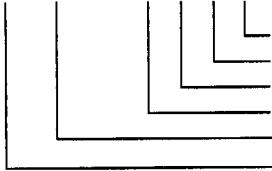
**Temperature**  
S = 0°C to +70°C

**Speed**  
04 = 4 MHz

**Environmental**  
C = Plastic Standard

**Example:**

Z 86C47/E47 4 P S C is a Z86C47/E47, 4 MHz, DIP, 0°C to +70°C, Plastic Standard Flow



Environmental Flow  
Temperature  
Package  
Speed  
Product Number  
Zilog Prefix